

OWNER'S MANUAL

**For Model No.
T8501**

When ordering repair parts, always give the following:

- Part Name
- Part Number
- Model Number
- Part Description



**READ THESE
INSTRUCTIONS
CAREFULLY!**



Table Tennis Table

Thank you for buying our product. We try hard to ensure that our products are of high quality and free of problems, such as manufacturing defects or missing parts. However, if you have any problems with your new product, please **DO NOT RETURN IT TO THE STORE!**

DO NOT RETURN THIS PRODUCT TO THE STORE!

Call us at:

TOLL FREE 1-866-873-3528
(THIS IS A CONSUMER ONLY NUMBER)
Please have this Owner's Manual with you when you call.



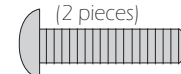
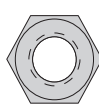

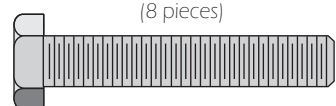

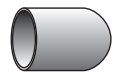
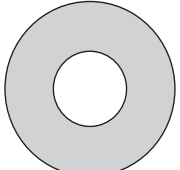



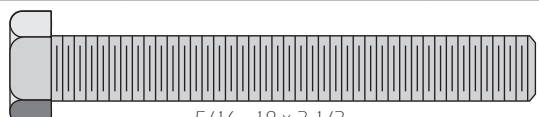
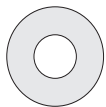
Or write us at: CUSTOMER SERVICE DEPT., P.O. Box 889, Evansville, IN 47706
Fax Number: (812) 467-1399.

Please provide model number and/or part number (not just the key number) of the product and/or part when you call or write. These numbers can be found on the product, packaging, and/or in this Owner's Manual.

LIMITED 1 YEAR WARRANTY

Manufacturer warrants to the original retail purchaser, this product to be free from defects in material and workmanship for a period of one (1) year from the date of purchase. Should this product become defective due to material or workmanship within the warranty period, contact our Customer Service Department. If defective by the terms of this warranty, we will, at our option, repair or replace the product. This warranty is not transferable and does not cover normal wear and tear, or damage caused by improper handling, installation or use of this product. This warranty is also void if product is in any way abused, damaged, or modified from its original state, or if used for other than residential use. This warranty gives you specific legal rights, and you may have other rights which vary from state to state.

HARDWARE IDENTIFIER

<p>24</p>  <p>#10-24 x 2-3/4 Slotted Round Head Screw (4 pieces)</p>	<p>5</p>  <p>3/8 Push Nut (4 pieces)</p>	<p>35</p>  <p>#10-24 x 3/4 Phillips Head Screw (2 pieces)</p>	<p>13</p>  <p>1/4-20 Locknut (12 pieces)</p>	<p>30 Spacer (4 pieces)</p> 
<p>12</p>  <p>1/4-20 x 1-1/2 Hex Bolt (8 pieces)</p>	<p>11</p>  <p>5/16 - 18 Locknut (6 pieces)</p>	<p>43</p>  <p>Thread Protector (4 pieces)</p>	<p>10</p>  <p>5/16 Washer (12 pieces)</p>	
<p>23</p>  <p>3/8 Spacer (8 pieces)</p>	<p>20</p>  <p>#10 - 24 Locknut (6 pieces)</p>	<p>21</p>  <p>1/4 - 20 x 2-1/4 Hex Bolt (4 pieces)</p>		
<p>9</p>  <p>5/16 - 18 x 2-1/2 Hex Head Bolt (6 pieces)</p>		<p>15</p>  <p>#10 Burr Washer (2 pieces)</p>		

TOOLS NEEDED FOR ASSEMBLY



CAUTION

AT LEAST TWO ADULTS ARE NEEDED TO COMPLETE THE ASSEMBLY!
DO NOT LEAVE TABLE UNATTENDED UNTIL ASSEMBLY IS COMPLETE!

Tools Needed:

- 3/8 Open or Boxed End Wrench (2)
- 7/16 Open or Boxed End Wrench (2)
- 1/2 Open or Boxed End Wrench (2)
- Phillips Screwdriver
- Standard Screwdriver

- Ratchet (optional)
- 3/8 Socket (If using ratchet)
- 9/16 Open or Boxed End Wrench (2)
- 9/16 Socket (If using ratchet)
- Hammer

FRAME ASSEMBLY

1. Open the hardware kit and sort all the hardware. For your help in identifying hardware, see the hardware identifier on the front of this manual.

2. Attach two non-locking casters #3 and two locking casters #4 to frame base #1. **NOTE: Dimples in frame base should face up.** (See figure 1) **Locking casters #4 must be on opposite corners from each other.** Secure casters using Push nuts #5. Use a hammer to tap push nuts onto caster stems securely.

3. Put tube end caps #29 in the ends of the base frame tubes #1. (See figure 1)

4. Attach "U" uprights #8 to base frame #1, with dimples facing inward, using three bolts #9, six washers #10 and three locknuts #11. (See figure 1) **Do not over tighten bolts crushing tubes.**

Note: One washer goes on top of "U" uprights, and one goes under the base frame. (See figure 1)

5. Attach name plate #14 to **inside** of "U" uprights #8 using two bolts #12 and two locknuts #13. **Tighten these nuts securely BUT do not over tighten them crushing tubes.**

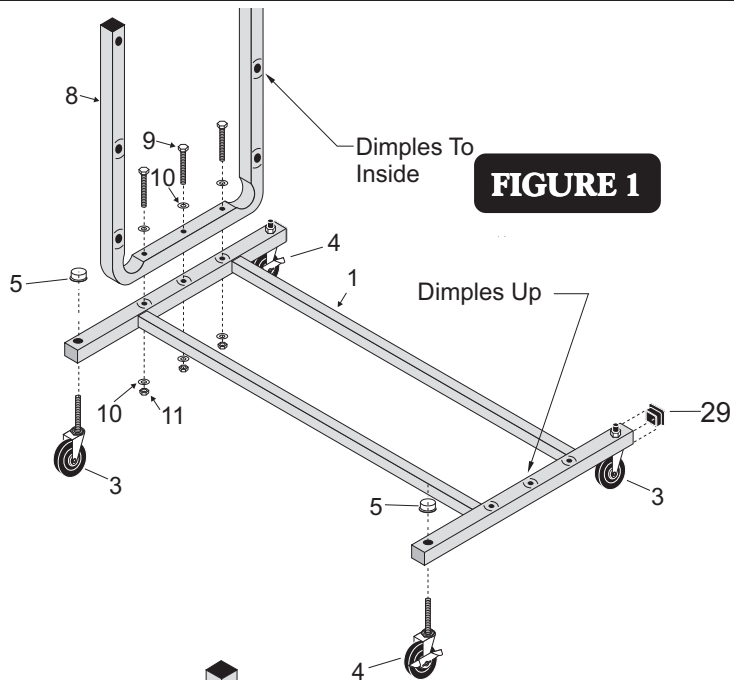


FIGURE 1

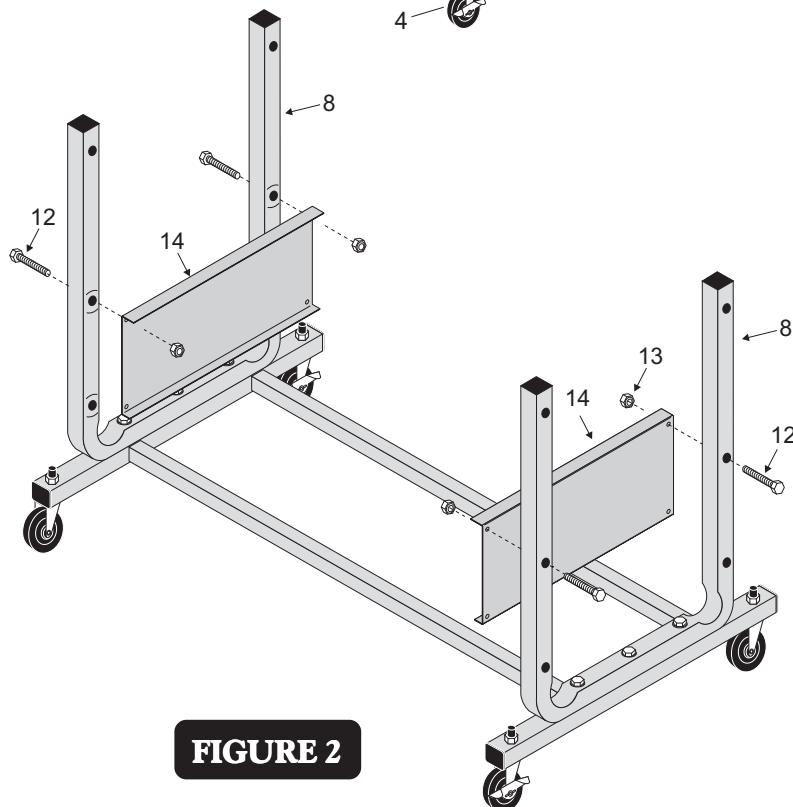


FIGURE 2

ATTACHING SAFETY LATCHES

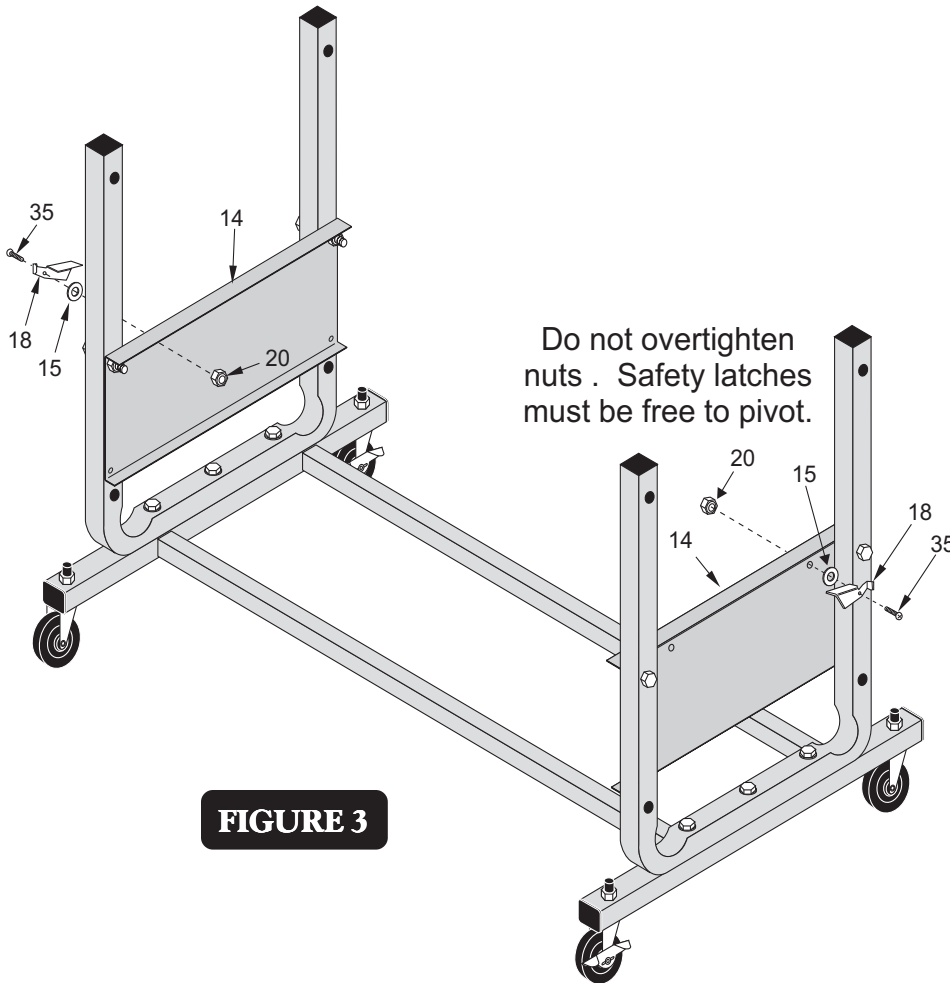


FIGURE 3

6. Install the Safety Latches #18 to the Name Plates #14 using two screws #35, safety latch #18, washer #15 and locknut #20. **Safety Latches must be installed opposite each other on both sides of the assembly.** (See figure 3)

Do not over tighten nuts #20. Safety latch #18 must be free to pivot.

IMPORTANT: SAFETY LATCHES MUST BE INSTALLED AS SHOWN WITH FLANGE ON LATCH OVER TOP OF NAME PLATE.

7. You may want to place a towel between table top and wall to keep from scratching wall. Take either table half #32 and lean it up against a wall. Turn it so that the two legs with hinges are up farthest from the floor. Place the bottom of the table about 12 inches away from the wall. (See figure 4)

Note: If you desire, table can be placed on the floor, if carpeted, or on the shipping carton, with the playing surface down. (Take care not to damage the playing surface).

8. Open legs #25 and #26 and lock leg hinges.
9. Place leg caps #2 on ends of legs #25 and #26. (See figure 4)

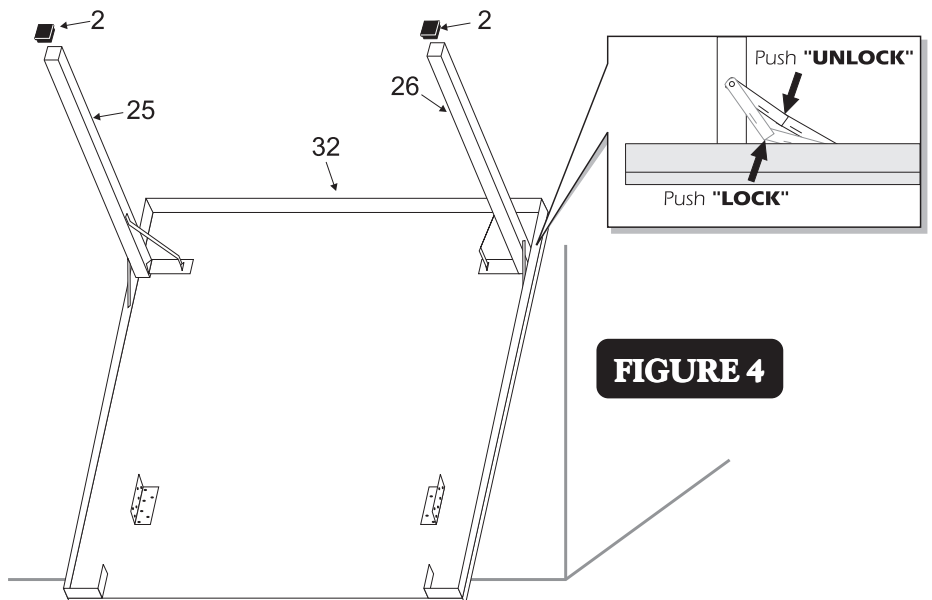


FIGURE 4

ATTACHING TABLE HALF TO BASE FRAME AND ATTACHING LINKAGES



CAUTION

LOCK LEG HINGES ON BOTH LEGS. AT LEAST TWO ADULTS ARE NEEDED TO COMPLETE THE REMAINDER OF ASSEMBLY

10. Find bolts #12, spacer #30, and locknut #13. Place them on the floor next to caster wheels so they will be handy for next step.

Make sure legs #25 and #26 are open and the leg hinges are locked. With one person on each side of this table half, lift it and set it on legs. (See figure 5)

While holding table half near net end, pull the frame under this table half until hole in "U" upright #8 is aligned with the **lower middle** hole in the leg mounting bracket #40

Secure table half to leg mounting brackets #40 using bolts #12, spacer #30, and locknut #13. Make sure that spacer #30 is between "U" upright #8 and leg mounting bracket #40. (See figure 5)

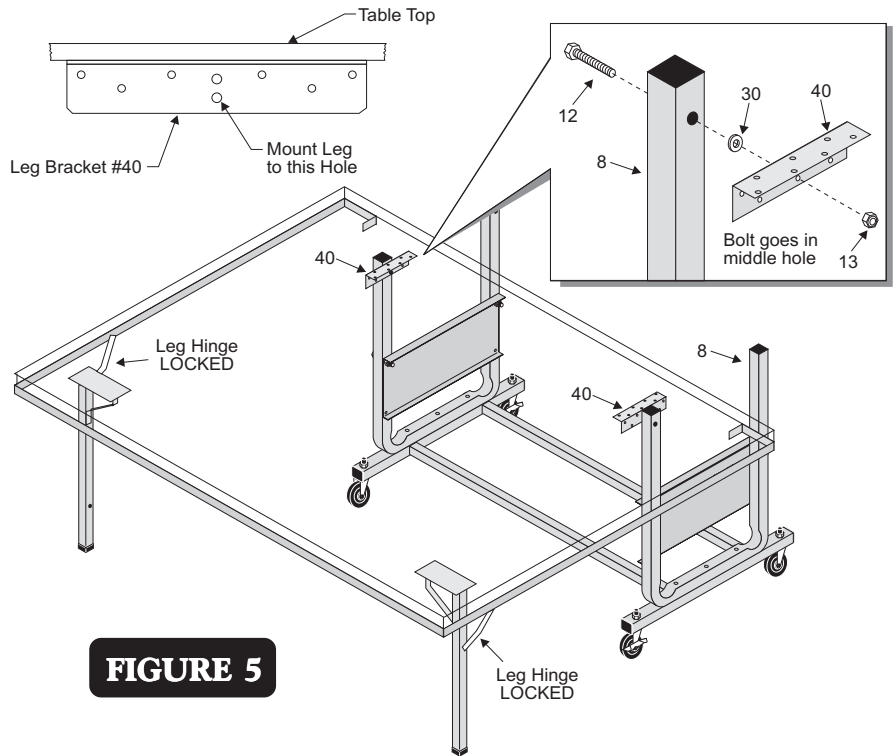


FIGURE 5

IMPORTANT Do not attempt to raise this half until other half top is attached and you have read and understand operating instructions

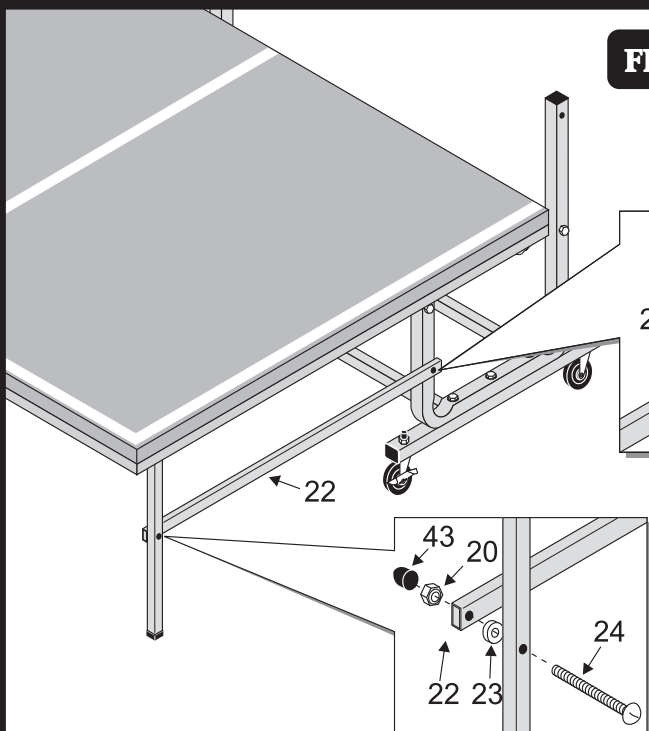


FIGURE 6

11. Install linkages #22 as shown with linkage on the **outside of "U" upright #8** and on the **inside of the legs #25 and #26**.

Secure linkage #22 to legs #25 and #26 with one screw #24, one spacer #23 (**between the linkage and the leg**), one locknut #20 and one thread protector #43. **Do not over tighten these nuts. Tubes MUST be free to pivot.**

Attach linkage #22 to "U" upright #8 with one bolt #21, one spacer #23 (**between the linkage and the leg**), one locknut #20. **Do not over tighten these nuts. Tubes MUST be free to pivot.**



DO NOT FOLD TABLE HALVES UP IN THE STORAGE POSITION UNTIL BOTH TABLE HALVES ARE INSTALLED AND ALL OPERATING INSTRUCTIONS ARE UNDERSTOOD.

12. Make sure legs #25 and #26 are open and the leg hinges are locked. With one person on each side of this table half, lift it and set it on legs. (See figure 7)

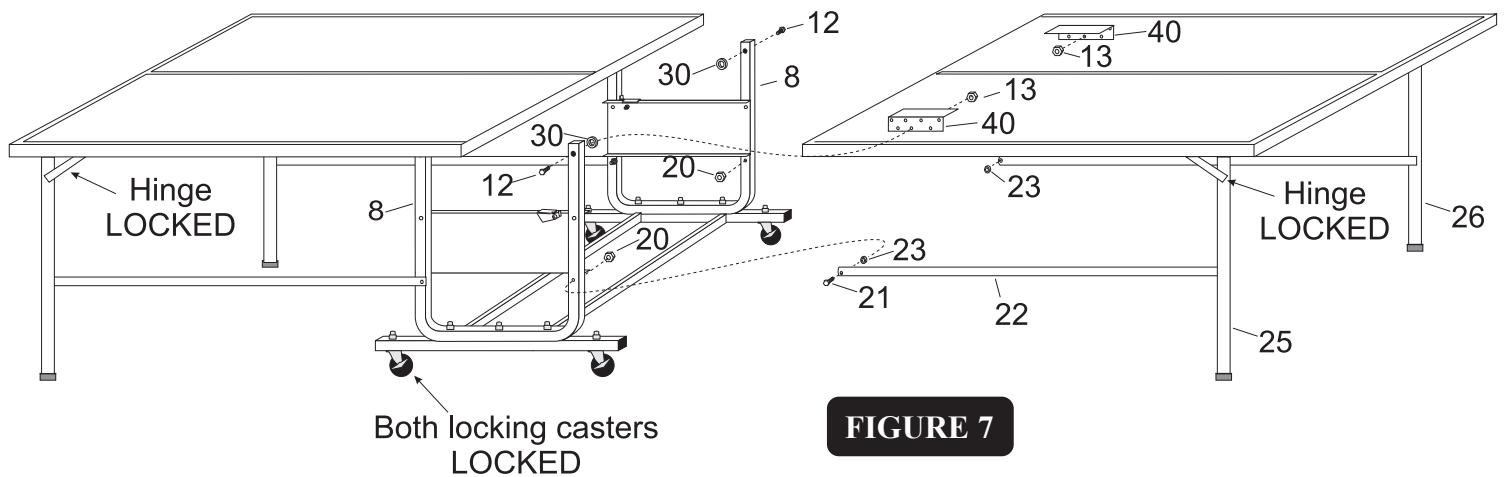
While holding table half near net end, pull the frame under this table half until hole in "U" upright #8 is aligned with middle hole in the leg mounting bracket #40

Secure table half to base frame to leg mounting brackets #40 using bolts #12, spacer #30, and locknut #13. Make sure that spacer #30 is between "U" upright #8 and leg mounting bracket #40.

13. Install linkages #22 as shown with linkage on the **outside** of "U" upright #8 and on the **inside** of the legs #25 and #26.

Secure linkage #22 to legs #25 and #26 with one screw #24, one spacer #23 (**between the linkage and the leg**), one locknut #20. **Do not over tighten these nuts. Tubes MUST be free to pivot.**

Attach linkage #22 to "U" upright #8 with one bolt #21, one spacer #23 (**between the linkage and the leg**), one locknut #20. **Do not over tighten these nuts. Tubes MUST be free to pivot.**



ATTACHING NET AND BRACKET

14. Attach the four corner protectors (#27) to rails. See Figure 8.

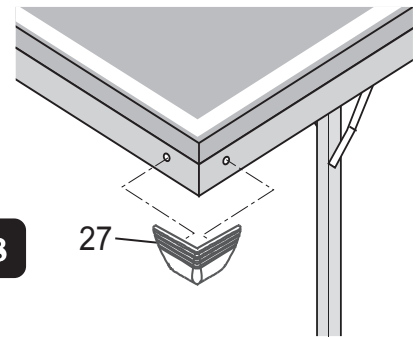
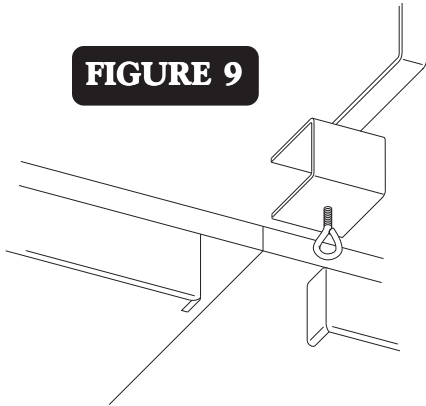


FIGURE 8

FIGURE 9



15. Secure net posts to center of table and slide net down over posts. See Figure 9.

CARE AND MAINTENANCE

You have purchased a quality product that will give you years of enjoyment. By following these simple maintenance steps you will add to the life of your new table.

THE TABLE TOP

The top (playing surface) of your table is made of particle board. Like all products made of wood, it can be affected by atmospheric changes in both temperature and humidity. This may cause a slight sag or distortion as the top expands or contracts. This is normal and should not cause concern as it does not detract from the play or utility value of the table. After assembly of the table, you can minimize the effects of temperature and humidity changes by storing the table in the folded up position in a dry area when table is not in use.

STORAGE OF YOUR TABLE.

This table must be stored indoors to prevent damage to the playing surface. Dampness and extreme temperature changes can cause the wood to warp, swell, crack, or blister. When your

table is not in use, it should be folded up in a dry area. Due to the nature of particle board, table top may bow. Damp and humid conditions will amplify this. This is normal and will not affect playability of the table.

CLEANING YOUR TABLE.

To clean your table use a soft damp **NOT WET** cloth only. To prevent damage to your table's playing surface **DO NOT** use any chemicals, abrasive, or cleaning products on your table's playing surface.

This table must be kept indoors to prevent damage to the playing surface. Dampness and extreme temperature changes which occur on patios or similar areas can cause wood to warp, swell, crack, or blister.

UNEVEN FLOORS

If table does not seem level, it is probably due to uneven or unlevel floors. Set the table in its playing position and move table several inches in different directions to find the best location for the table. If the floor is extremely unlevel, table may not play or operate properly. If table is high in the center, shim up under the outer legs.

OPERATING INSTRUCTIONS



CAUTION!

READ THESE INSTRUCTIONS ON THE FOLLOWING PAGES BEFORE BEGINNING PLAY ON THIS TABLE!



WARNING This is not a toy. Table is to be opened or closed under close adult supervision. Failure to comply with opening and closing instructions could result in personal injury or property damage.

OPENING AND CLOSING INSTRUCTIONS



CAUTION:

READ OPERATING INSTRUCTIONS CAREFULLY BEFORE OPERATING TABLE! DO NOT ALLOW CHILDREN TO OPEN TABLE! DO NOT CLIMB, STAND OR JUMP ON TABLE! SERIOUS OR FATAL INJURY MAY RESULT! THIS IS NOT A TOY! TABLE IS TO BE OPENED OR CLOSED BY ADULTS ONLY! FAILURE TO COMPLY WITH OPENING AND CLOSING INSTRUCTIONS COULD RESULT IN PERSONAL INJURY OR PROPERTY DAMAGE.

TO OPEN:

1. Stand behind the table near the safety latch.
2. Pull legs out slightly from table top.
3. Hold table half with one hand and pivot safety latch enough to allow the edge of the table half to pass over it.
4. While keeping an eye on the safety latch, pivot table half until it moves past the safety latch. Once edge of table has passed over safety latch, stop pivoting table half.
5. With both hands on the table half, center yourself along the table half and lower the table half to the floor.
6. Lock leg hinges on both legs. (see figure 9).
7. Repeat for the other table half.

TO CLOSE:

1. Unlock hinges from both legs (see figure 9).
2. Lift table half upward and inward to vertical position.
3. Check to be sure that table half is locked in the safety latch.
4. Repeat for the other table half.

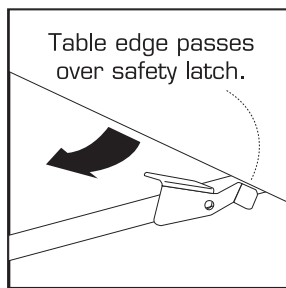
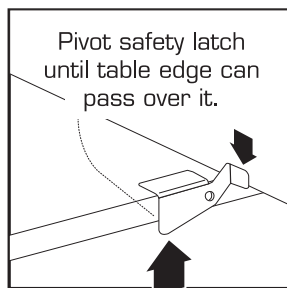
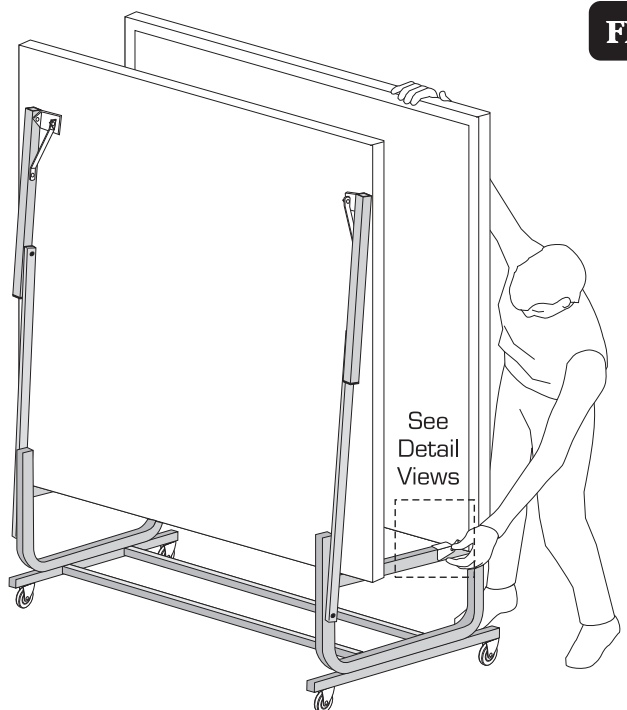
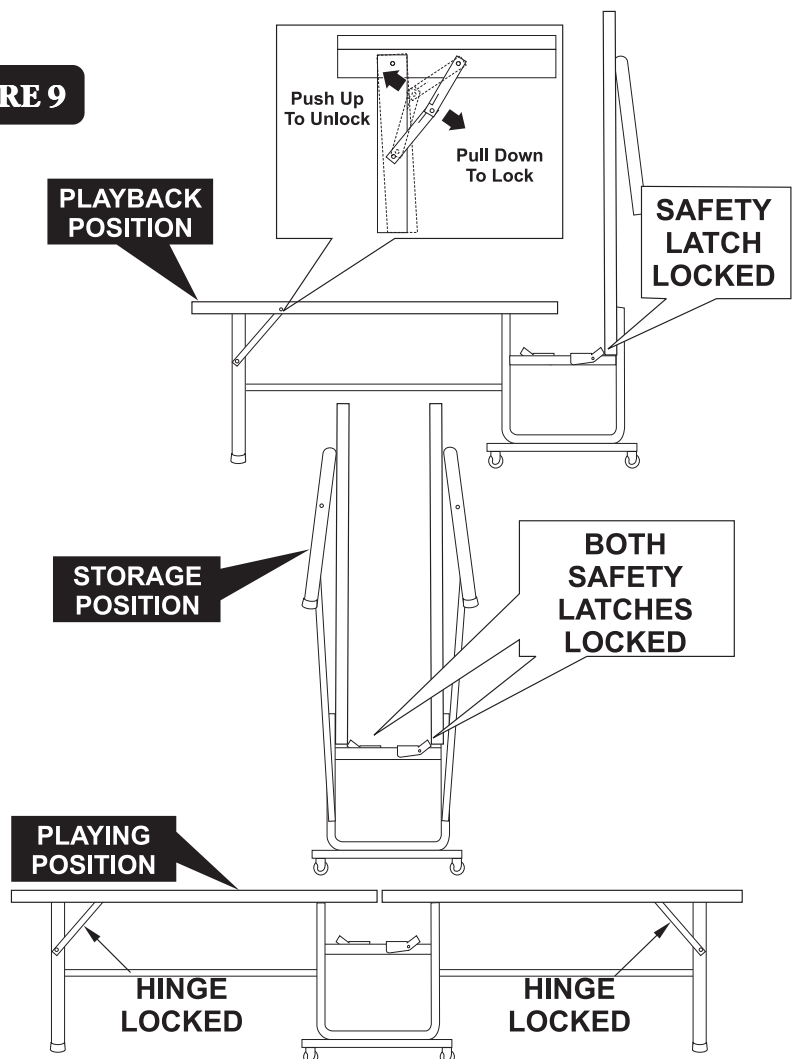


FIGURE 9



Replacement Parts List for T8501

Key #	Part No.	Description	Qty.	Key #	Part No.	Description	Qty.
1	1A-6130-01	Base Frame	1	23	7B-6161-00	3/8" Spacer	8
2	3M-4116-00	Leg Cap	4	24	1B-6138-00	#10 - 24 x 2 3/4 Sltd Hd Screw	4
3	2Q-6457-00	Caster without brake	2	25	1A-6251-00	Left Leg Assembly	2
4	2Q-6458-00	Caster with brake	2	26	1A-6250-00	Right Leg Assembly	2
5	601-84	3/8 Push nut	4	27	3M-6715-00	Corner Protector	4
6		Number not used	4	28	701-105	#8 x 9/16 Screw	100
8	8S-6505-01	"U" Upright	2	29	704-140	Tube End Cap	4
9	1B-6140-00	5/16 - 18 x 2 1/2 Hex Head Bolt	6	30	704-104	Spacer	4
10	2B-6024-00	5/16 Washer	12	31	2S-6856-01	Left Hand Side Rail	2
11	2B-6009-02	5/16 - 18 Locknut	6	32	4A-6407-00	Table Top	2
12	701-47	1/4 - 20 x 1 1/2 Hex Head Bolt	8	33	2S-6714-00	End Rail	2
13	701-26	1/4 - 20 Locknut	12	34	2S-6855-01	Right Hand Side Rail	4
14	2S-6136-06	Name Panel	2	35	801-120B	#10 - 24 x 3/4 Phill Hd Screw	2
15	701-1	#10 Burr Washer	2	36	5A-6700-00	Net & Post Kit	1
18	2S-6264-01	Safety Latch	2	40	2S-6139-01	Leg Mounting Bracket	4
20	601-80	#10 - 24 Locknut	6	42	2L-7115-00	This Owner's Manual	1
21	701-35	1/4 - 20 x 2 1/4 Hex Head Bolt	4	43	704-58	Thread Protector	4
22	8S-6506-02	Linkage	4				

