

STIGA®

Play The Best®

MODEL NO.

T8190

AEROTECH

TABLE TENNIS TABLE

OWNER'S MANUAL

1. **Read this manual carefully before starting assembly.** Read each step completely before beginning each step.
2. **Some smaller parts may be shipped inside larger parts. Check inside all parts and cartons before assembling or ordering parts.**
3. **To make assembly easier, use the Hardware Identifier on page 7 to identify and sort all fasteners. Check all cartons for kits. All hardware may not be located in one kit.**
4. **Do not tighten hardware until instructed to do so.** If hardware is tightened too soon, mounting holes may not align and parts may not easily fit together. Leave locknuts slightly loose until you are instructed to tighten them.
5. **Tools required for assembly:** Phillips Screwdriver, Two 7/16 Wrenches, One 3/8 Wrench (an adjustable wrench may be substituted for the wrenches), Flat Blade Screw Driver

Please Do Not Return This Product To The Store!

Contact Escalade® Sports customer service department at:

Phone: 1-866-873-3528 Toll – Free !

Fax: 1-866-873-3533 Toll – Free !

E-mail: tabletennis@escaladesports.com

Mailing Address (correspondence only):

Escalade Sports

PO Box 889

Evansville, IN 47706

Please visit our World Wide Web site at: www.escaladesports.com

ON-LINE TROUBLE SHOOTING

TECHNICAL ASSISTANCE

ON-LINE PARTS REQUESTS

FREQUENTLY ASKED QUESTIONS

ADDITIONAL ESCALADE® SPORTS PRODUCT INFORMATION

ESCALADE®

S P O R T S

2L-6862-01

Escalade® Sports products may be manufactured and/or licensed under the following patents.

6120397, 5816957, 5769744, 5119741, 4911085, 4717157, D460140, D420563

Additional patents may be pending. One or more of the listed patents and/or pending patents may cover specific product.

©2004 Escalade® Sports

1. Insert one caster with brake #33 and one caster without brake #32 into caster sockets in each side panel assembly #35. See Figure 1.
2. Connect the a side panel assembly #35 to the Bottom Board #36, as shown in Figure 1, using four bolts #37 and four wing nuts #38.
3. Repeat step 2 for other side panel assembly #35.

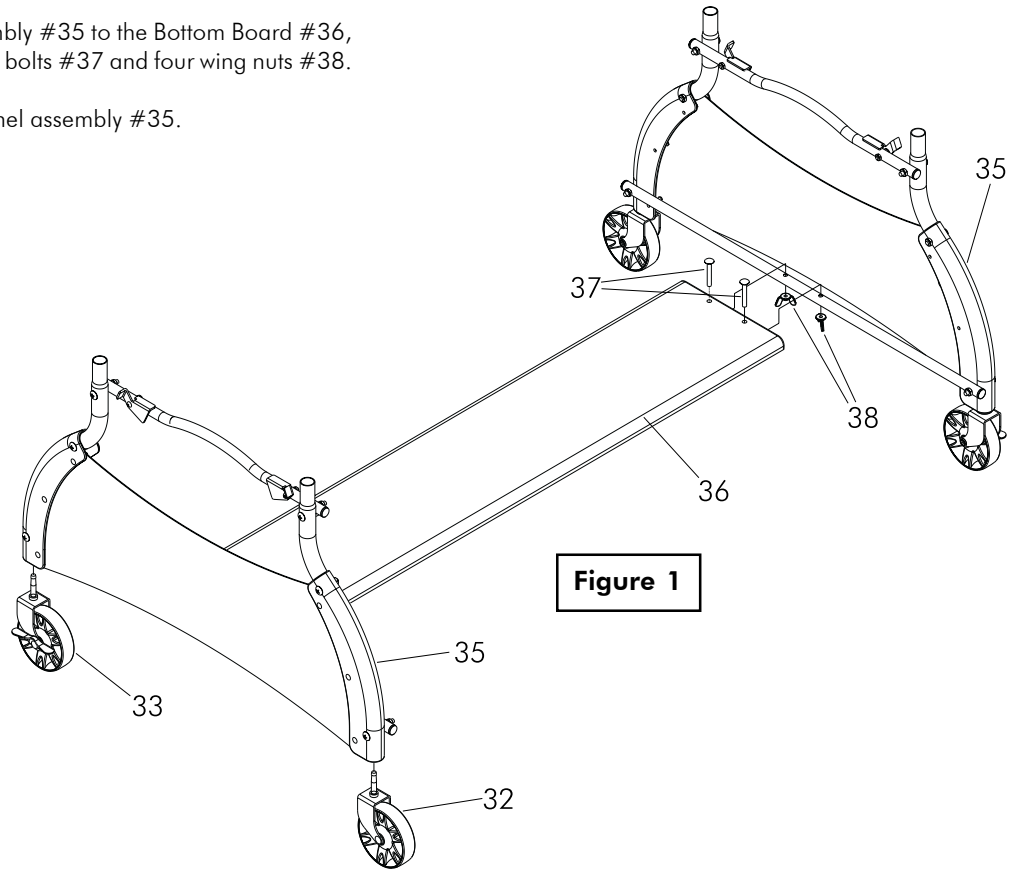


Figure 1

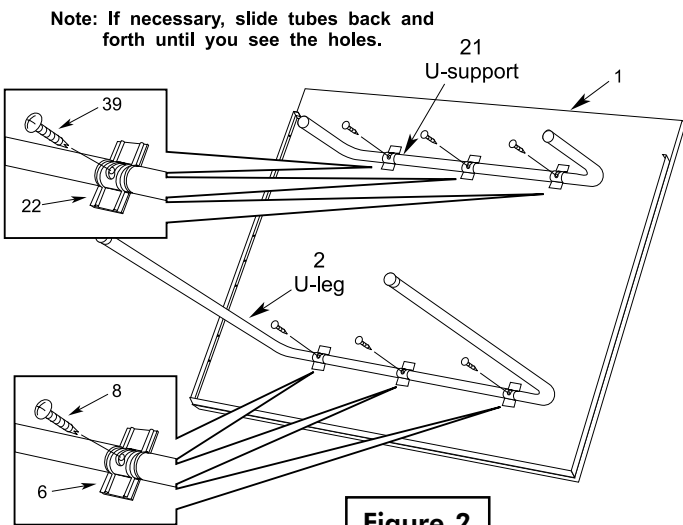
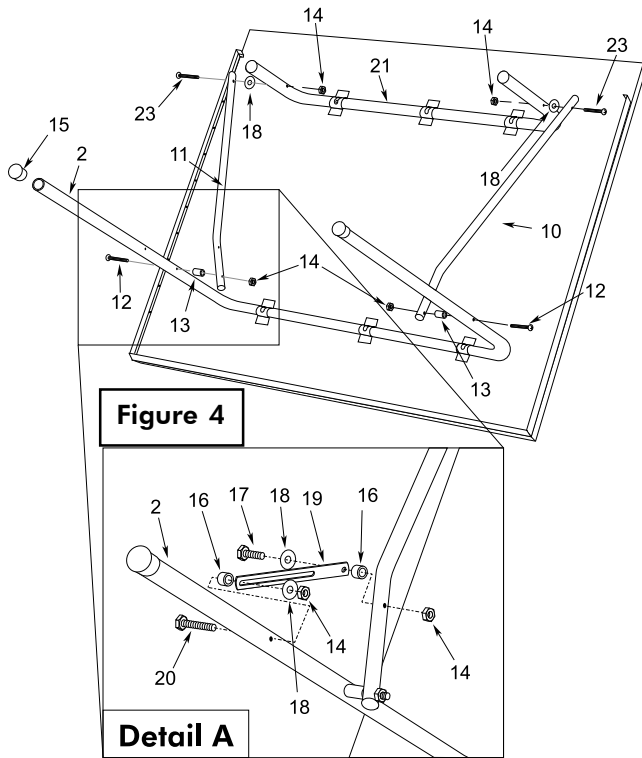
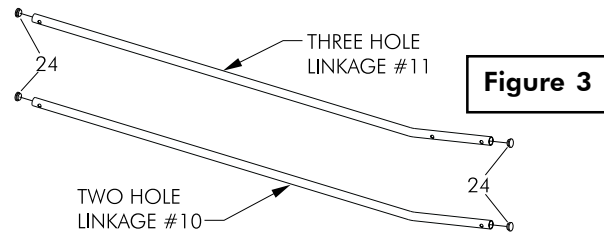


Figure 2

4. Lay table top #1 painted side down, on a smooth, flat surface. Use the shipping container to protect the painted surface of the table top.
5. Rotate U-support #21 until you see the screw holes in the slots of U-clips #22. Slide U-support #21 side to side if necessary. See Figure 2.
6. Insert a screw #39 through slot in each U-clip #22 and into U-support #21. Thread each screw all the way into U-support #21 until it touches the back of the tube. There should be about 3/8 inch of screw #39 left sticking out.
7. Rotate U-leg #2 until you see the screw holes in the slots of U-clips #6. Slide U-leg #2 side to side if necessary. See Figure 2.
8. Insert a screw #8 through slot in each U-clip #6 and into U-leg #2. Thread each screw all the way into U-leg #2 until it touches the back of the tube. There should be about 3/8 inch of screw #8 left sticking out.

9. Locate one three hole linkage #11 and one two hole linkage #10 and insert a tube plug #24 in each end. See Figure 3



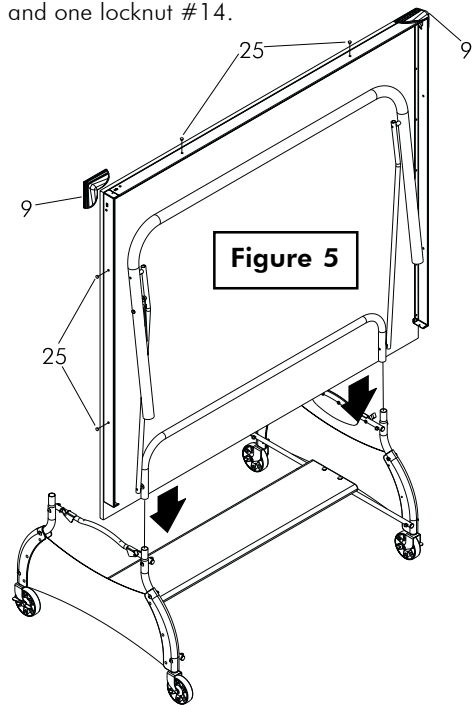
10. Attach bent end of three hole linkage #11 to **INSIDE** of U-leg #2 with two holes as shown in Figure 4. Secure with bolts #12, locknuts #14 and plastic spacers #13. Tighten hardware snug enough to keep table stable but do not overtighten. Tubes must pivot freely. **NOTE:** Plastic spacers go between linkage #11 and U-leg #2.
11. Attach bent end of two hole linkage #10 to **INSIDE** of U-leg #2 with one hole as shown in Figure 4. Secure with bolts #12, locknuts #14 and plastic spacers #13. Tighten hardware snug enough to keep table stable but do not overtighten. Tubes must pivot freely. **NOTE:** Plastic spacers go between linkage #10 and U-leg #2.
12. Attach other end of linkages #10 and #11 to **OUTSIDE** of U-support #21 with bolts #23, locknuts #14 and plastic washers #18. Tighten hardware until snug but do not overtighten. Tubes must pivot freely.
13. Install leg cap #15 onto end of U-legs #2.
14. On one side of the table attach slotted end of safety strap #19 to **INSIDE** of U-Leg #2 using one black bolt #20, one spacer #16, one washer #18, and one locknut #14. Tighten hardware until snug but do not overtighten. Tubes must pivot freely. See Detail A.

15. Attach other end of safety strap #19 to **OUTSIDE** of three hole linkage #11 using one bolt #17, one washer #18, one spacer #16, and one locknut #14.
17. Repeat steps 5 thru 15 on second table half.

⚠ WARNING:

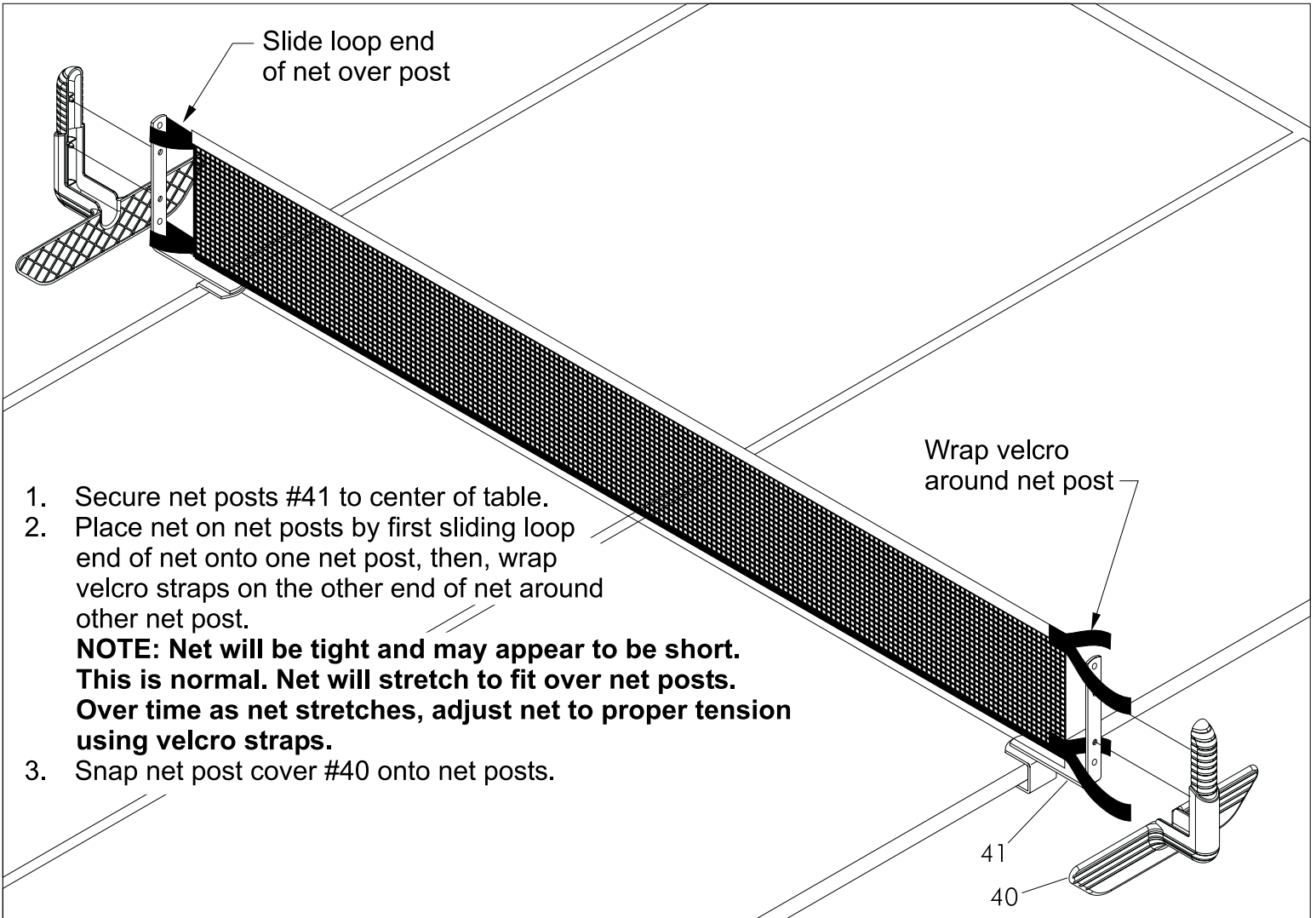
AT LEAST TWO (2) ADULTS ARE NEEDED TO COMPLETE THE REST OF THIS ASSEMBLY! WHEN ASSEMBLING TOPS TO BASE, HANDLE TOP ASSEMBLIES BY GRASPING ONLY THE TOPS THEMSELVES. DO NOT GRASP METAL LEGS, U-SUPPORT, LINKAGE, OR HINGES. THESE PARTS CAN MOVE AND COULD PINCH FINGERS OR HANDS CAUSING SERIOUS INJURY! ASSEMBLE AS SHOWN WITH LEGS FULLY CLOSED AND TOPS IN A VERTICAL POSITION. DO NOT OPEN LEGS AND TRY TO ASSEMBLE. TABLE TOPS ARE HEAVY - DO NOT ATTEMPT TO ASSEMBLE ALONE!

18. With two adults, attach table top #1 to table base, as shown in Figure 5. With at least one adult on each side of table top, lift top and align ends of "U"-support tube with top of upright tubes. Slide tubes together.
19. With two adults, put other table top onto other pivot tubes following instructions in previous step.
20. Attach corner caps #9 to outer corners of tops. See Figure 5.
21. Push two hole plugs #25 into holes in each apron. See Figure 5.



⚠ WARNING:
DO NOT OPEN THE TABLE TO PLAYING POSITION UNTIL BOTH TOPS ARE INSTALLED! DO NOT LEAVE TABLE STANDING UNATTENDED. IT COULD BE KNOCKED OVER CAUSING SERIOUS BODILY INJURY OR PROPERTY DAMAGE.

NET ASSEMBLY



OPENING AND CLOSING INSTRUCTIONS



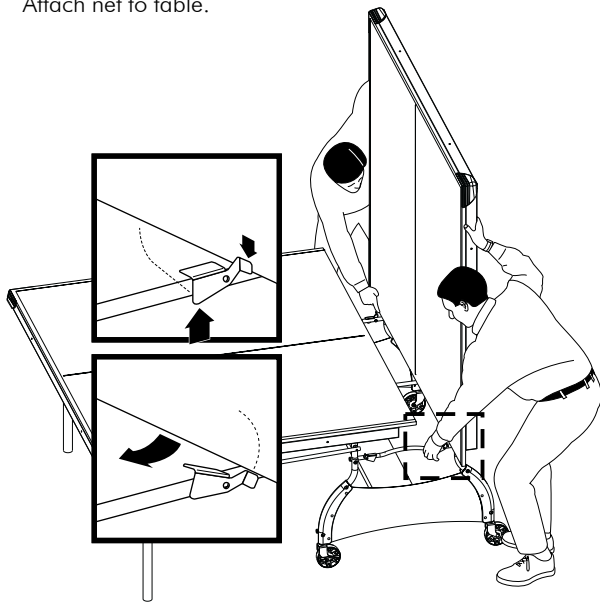
CAUTION:

READ OPERATING INSTRUCTIONS CAREFULLY BEFORE OPERATING TABLE! DO NOT ALLOW CHILDREN TO OPEN TABLE! DO NOT CLIMB, SIT, STAND OR JUMP ON TABLE! SERIOUS OR FATAL INJURY MAY RESULT! THIS IS NOT A TOY! TABLE IS TO BE OPENED OR CLOSED BY ADULTS ONLY! FAILURE TO COMPLY WITH OPENING AND CLOSING INSTRUCTIONS COULD RESULT IN PERSONAL INJURY OR PROPERTY DAMAGE.

To Open:

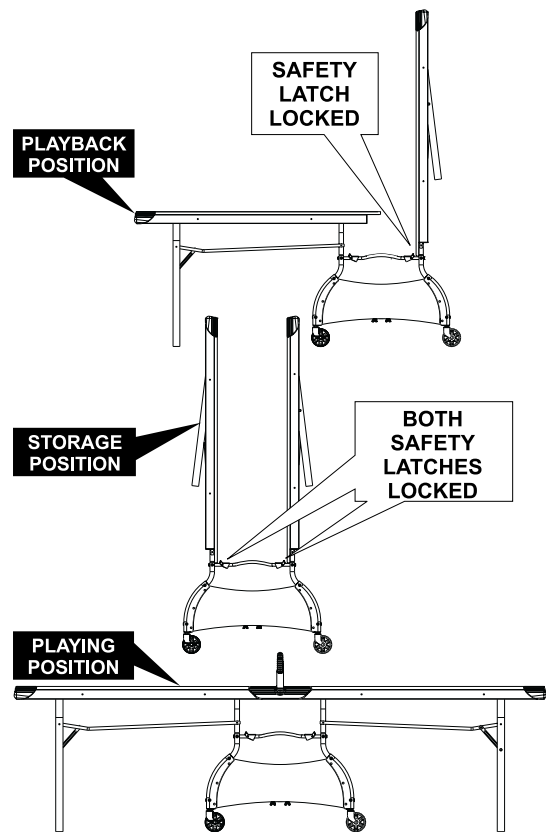
IMPORTANT! Two people are required to lower table half. Do NOT override this safety feature. Do NOT remove latches and do NOT make any of the latches inoperable.

1. Be sure legs are not pushed flat against top.
2. With one person standing on each side of table, hold table half with one hand and pivot latch enough to allow edge of table half to pass over it. See Figure 1
3. Pivot table half until it moves past the latch and release latch. See Figure 1
4. With both hands on table half, move around to end of table and lower table half until legs are on the floor. See Figure 2
5. Repeat steps 1 through 4 for other table half.
6. Attach net to table.



To Close:

1. Remove net and post assembly from table.
2. Raise the table half by lifting playing end of table up to storage position.
3. Check to be certain table half engages safety latch.
4. Do NOT push legs flat against top



WARNING!

DO NOT LIFT TABLE BY THE TABLE TOPS! TABLE IS NOT FASTENED TO BASE AND CAN COME LOOSE, CAUSING PERSONAL INJURY OR PROPERTY DAMAGE!

IF TRANSPORTATION OTHER THAN ROLLING IS NECESSARY, WITH AT LEAST **THREE ADULTS** DISASSEMBLE TABLE. ONE ON EACH END OF ONE TABLE HALF TO LIFT IT UP AND ONE TO HOLD OTHER TABLE HALF SO TABLE DOES NOT TIP OVER. THEN REMOVE OTHER TABLE HALF. MOVE UNIT IN THREE OR FOUR PIECES AND REASSEMBLE. DO NOT LEAVE TABLE WITH ONE TABLE HALF INSTALLED UNATTENDED.

90 DAY LIMITED WARRANTY

This consumer warranty extends to the original consumer purchase of any ESCALADE® SPORTS Product (hereinafter referred as the "Product").

WARRANTY DURATION: This Product is warranted to the original consumer purchase of a period of ninety (90) days from the original purchase.

WARRANTY COVERAGE: ESCALADE SPORTS warrants to the original Consumer Purchaser that any Product of its manufacture is free from defects in material and workmanship when used for the intended purpose under normal use and conditions. THIS WARRANTY IS VOID IF THE PRODUCT HAS BEEN DAMAGED BY ACCIDENT, UNREASONABLE USE, NEGLIGENCE, IMPROPER SERVICE, FAILURE TO FOLLOW INSTRUCTIONS PROVIDED WITH THE PRODUCT OR OTHER CAUSES NOT ARISING OUT OF DEFECTS IN MATERIAL AND WORKMANSHIP.

WARRANTY PERFORMANCE: During the above ninety (90) day warranty period, ESCALADE SPORTS shall repair or replace with a comparable model, and Product, or component thereof, which may prove defective under normal use and proper care, and which our examination shall disclose to our satisfaction to be thus defective, please contact our Warranty Dept.

1-800-426-1421 / Warranty Dept.

Or Write us at:

Escalade® Sports, Inc. - P.O. Box 889, Evansville, IN 47706 - Attn: Warranty Dept.

Or E-mail us at:

customerservice@escaladesports.com

Other than shipping requirements no charge will be made for such repair or replacement of in-warranty Products. ESCALADE® SPORTS strongly recommends that the Product is insured for value prior to mailing.

WARRANTY DISCLAIMERS: ANY IMPLIED WARRANTIES ARISING OUT OF THIS SALE, INCLUDING BUT NOT LIMITED TO THE IMPLIED WARRANTIES OF MERCHANTABILITY AND FITNESS FOR A PARTICULAR PURPOSE, ARE LIMITED IN DURATION TO THE ABOVE NINETY (90) DAY WARRANTY PERIOD. ESCALADE® SPORTS SHALL NOT BE LIABLE FOR LOSS OF USE OF THE PRODUCT OR OTHER CONSEQUENTIAL OR INCIDENTAL COSTS, EXPENSES OR DAMAGES INCURRED BY THE CONSUMER OF ANY OTHER USE.

Some states do not allow the exclusion or limitation of implied warranties or consequential or incidental damages, so the above limitations or exclusions may not apply to you.

LEGAL REMEDIES: This warranty gives you specific legal rights and you may also have other rights which may vary from state to state.

CARE AND MAINTENANCE

You have purchased a quality product that will give you years of enjoyment. By following these simple maintenance steps, you will add to the life of your new table.

THE TABLE TOP

The top (playing surface) of your table is made of particle board. Like all products made of wood, it can be affected by atmospheric changes in both temperature and humidity. This may cause a slight sag or distortion as the top expands or contracts. This is normal and should not cause concern as it does not detract from the play or utility value of the table. After assembly of the table, you can minimize the effects of temperature and humidity changes by storing the table in the folded up position in a dry area when table is not in use.

STORAGE OF YOUR TABLE

This table must be stored indoors to prevent damage to the playing surface. Dampness and extreme temperature changes can cause the wood to warp, swell, crack or blister. When your table is not in use, it should be folded up in a dry area. Due to the nature of particle board, table top may bow. Damp and humid conditions will amplify this. This is normal and will not affect playability of table.

CLEANING YOUR TABLE

To clean your table use a soft, damp (NOT WET) cloth only. To prevent damage to your table's playing surface, DO NOT USE ANY CHEMICALS, ABRASIVE OR CLEANING PRODUCTS on your table's playing surface.

MAINTENANCE OF YOUR TABLE

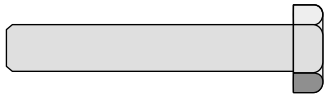
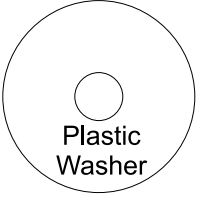

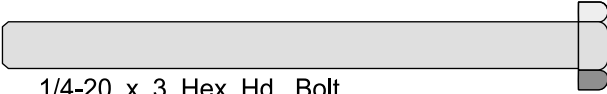
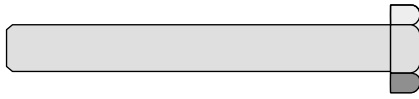

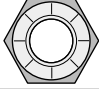

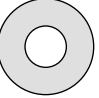

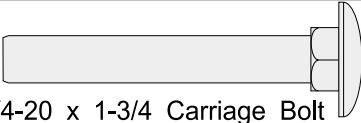
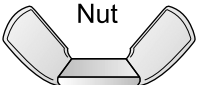


Be sure to oil all moving parts of your table including the pivot points. This will insure the safety and ease of use of your table.

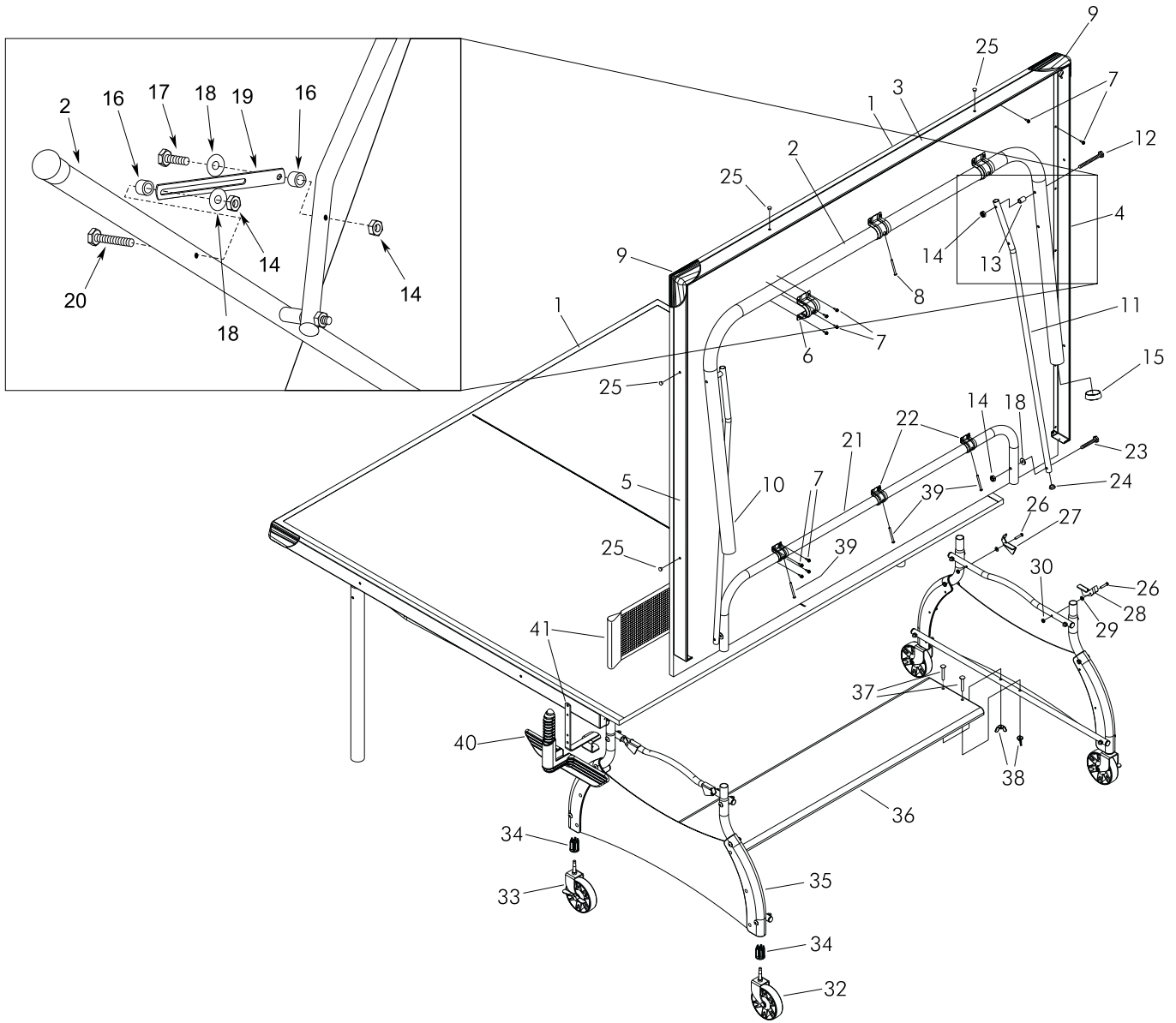
This table must be kept indoors to prevent damage to the playing surface. Dampness and extreme temperature changes which occur on patios or similar areas can cause wood to warp, swell, crack or blister.

UNEVEL FLOORS

If table does not seem level, it is probably due to uneven or unlevel floors. Set the table in its PLAYING POSITION and move table several inches in different directions to find the best location for the table. If the floor is extremely unlevel, table may not play or operate properly. If table is high in the center, shim up under the outer U-legs.

HARDWARE IDENTIFIER

KEY NO.	17	1/4-20 x 1-1/2 Hex Hd. Bolt		18		26	#10-24 x 3/4 Rd. Hd. Screw	
	12	1/4-20 x 3 Hex Hd. Bolt						
	23	1/4-20 x 2 Hex Hd. Bolt		8	#8-32 x 1-3/4 S.M.S.			
	14	1/4-20 Locknut		30	#10-24 Locknut			
	29	3/16 S.A.E. Washer		39	#8-32 x 1-1/4 S.M.S.			
	37	1/4-20 x 1-3/4 Carriage Bolt		38	1/4-20 Wing Nut			
				16	5/16" Spacer	13	3/4" Spacer	
				20	1/4-20 x 2" Black Hex Hd. Bolt			



PRODUCT PARTS LIST

Key #	Part #	Description	Qty.	Key #	Part #	Description	Qty.
1	4A-6976-00	5/8" Top	2	22	2S-6387-02	U-Clip	6
2	8S-6699-02	U-Leg	2	23	701-82	1/4-20 X 2" Hex Head Bolt	4
3	2S-6714-01	End Rail	2	24	3M-6726-00	5/8" Tube Plug	8
4	2S-6715-03	RH Side Rail	2	25	704-139B	Hole Plug	12
5	2S-6716-03	LH Side Rail	2	26	1B-6118-00	#10-24 X 1" Phillips Round Head Screw	4
6	2S-6381-02	1-1/2" U-Clip	6	27	2S-6264-02	Safety Latch - RH	1
7	701-105	#8 X 9/16" Sheet Metal Screw	100	28	2S-6711-02	Safety Latch - LH	1
8	1B-6460-00	#8-32 X 1-3/4" Sheet Metal Screw	6	29	701-1B	3/16" Flatwasher	2
9	3M-6715-00	Corner Protector	4	30	601-80B	#10-24 Locknut	4
10	8S-6707-02	Two Hole Linkage	2	32	2Q-6442-00	4" Caster Without Lock	1
11	8S-6706-02	Three Hole Linkage	2	33	2Q-6443-00	4" Caster With Lock	1
12	1B-6605-00	1/4-20 X 3" Hex Head Bolt	4	34	3M-6115-00	Caster Socket	2
13	7B-6256-00	3/4" Spacer	4	35	4A-6931-00	Panel Assembly	2
14	701-26	1/4-20 Locknut	12	36	2W-7186-01	Bottom Board	1
15	504-13	Leg Cap	4	37	1B-6635-00	1/4-20 X 1-3/4" Carriage Bolt	4
16	7B-6257-00	5/16" Spacer	4	38	2B-6082-00	1/4-20 Wing Nut	4
17	701-47	1/4-20 X 1-1/2" Hex Head Bolt	2	39	701-141	#8-32 X 1-1/4" Sheet Metal Screw	6
18	2B-6087-00	Plastic Washer	8	40	3M-6709-00	Net Post Cover	2
19	2S-6428-04	Safety Strap	2	41	5A-6700-00	Net and Post Kit	1
20	1B-6650-00	1/4-20 X 2" Hex Head Bolt Black	2	42	2L-6862-01	This Manual	1
21	8S-6704-02	U-support	2				