



MODEL NOS.
T8650
EQUINOX
TABLE TENNIS TABLE

OWNER'S MANUAL

- 1. Read this manual carefully before starting assembly.** Read each step completely before beginning each step.
- 2. Some smaller parts may be shipped inside larger parts. Check inside all parts and cartons before assembling or ordering parts.**
- 3. To make assembly easier, use the Hardware Identifier on page 7 to identify and sort all fasteners. Check all cartons for kits. All hardware may not be located in one kit.**
- 4. Do not tighten hardware until instructed to do so.** If hardware is tightened too soon, mounting holes may not align and parts may not easily fit together. Leave locknuts slightly loose until you are instructed to tighten them.
- 5. Tools required for assembly:** Phillips screwdriver, 7/16" wrenches, and 9/16" wrenches (adjustable wrenches may be substituted for the wrenches).

Please Do Not Return This Product To The Store!

Contact Escalade® Sports customer service department at:

Phone: 1-866-873-3528 Toll – Free !

Fax: 1-866-873-3533 Toll – Free !

E-mail: tabletennis@escaladesports.com

Mailing Address (correspondence only):

Escalade Sports
PO Box 889
Evansville, IN 47706

Please visit our World Wide Web site at: www.escaladesports.com

ON-LINE TROUBLE SHOOTING

TECHNICAL ASSISTANCE

ON-LINE PARTS REQUESTS

FREQUENTLY ASKED QUESTIONS

ADDITIONAL ESCALADE® SPORTS PRODUCT INFORMATION

ESCALADE®
S P O R T S

2L-4108-07

Escalade® Sports products may be manufactured and/or licensed under the following patents.
6120397, 5816957, 5769744, 5119741, 4911085, 4717157, D460140, D420563

Additional patents may be pending. One or more of the listed patents and/or pending patents may cover specific product.

©2003 Escalade® Sports

Note: Cross Support (#16) may be packed under both top assemblies on bottom of carton.

1. Attach Cross Support (#16) and Shroud (#17) to Upright Assemblies (#10), as shown in Figure 1, using two carriage bolts (#19) and two Hand Knobs (#18). **Note: Assemble "Upright Assemblies" as shown with channels toward inside. Tighten Hand Knobs securely.**
2. Slide Ball Holders (#35) into groove in top of Shroud (#17). See Figure 1.

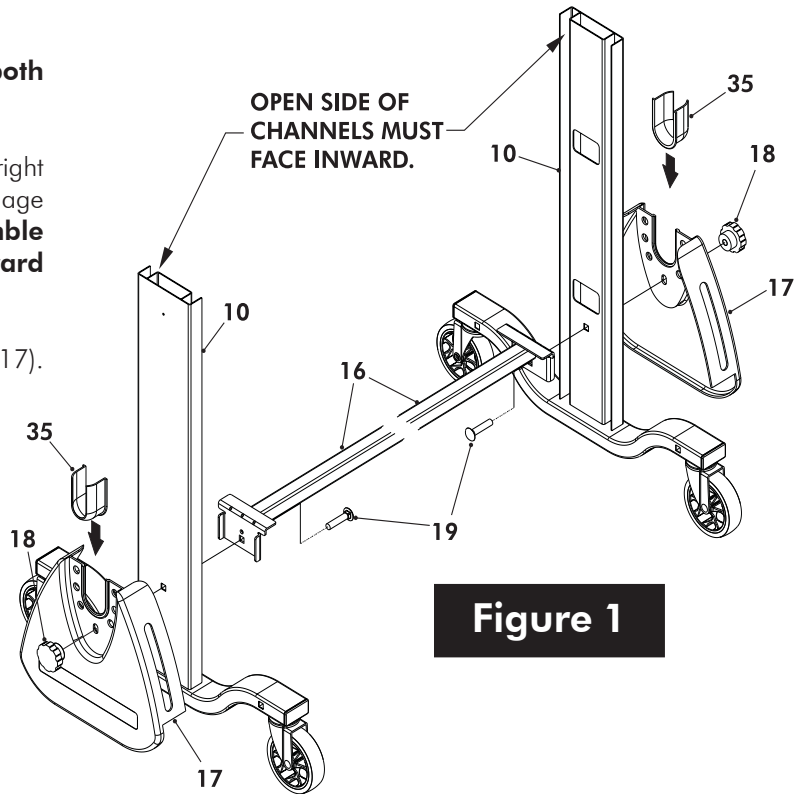


Figure 1

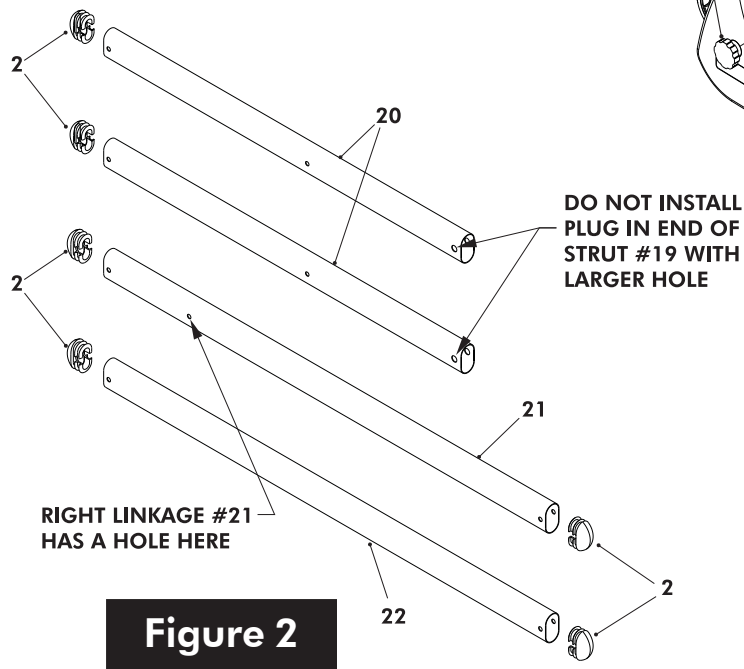


Figure 2

3. Locate two Struts (#20) and insert a Round Top Tube Plug (#2) in the end opposite the larger hole. See Figure 2
4. Locate one Right Linkage (#21) (with three holes) and one Left Linkage (#22) (with two holes) and insert a Round Top Tube Plug (#2) in each end. See Figure 2

5. Attach two Struts (#20) to Upright Assemblies (#10), as shown in Figure 3, using one bolt (#23), one spacer (#24) and one locknut (#14). **Tighten bolts tight but, do not over tighten. Joints must pivot freely.**

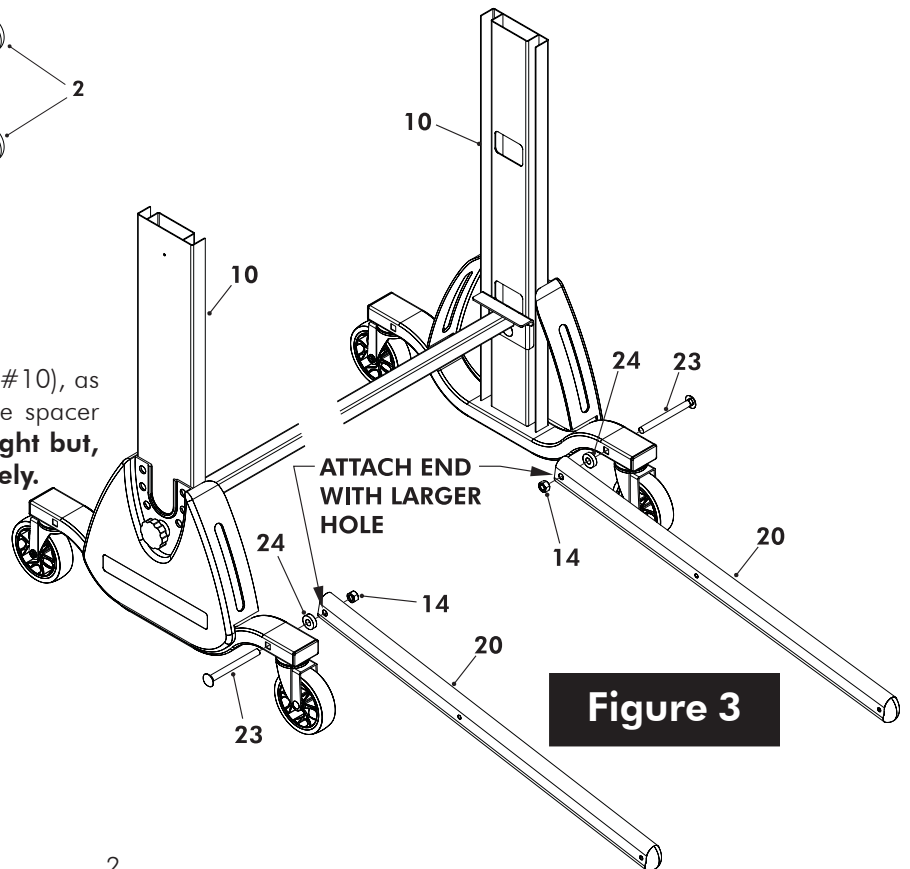


Figure 3

6. Attach a Right Linkage (#21) to the inside of the Strut (#20) on the right side of chassis assembly, as shown in Figure 4, using one screw (#25), one spacer (#26) and one locknut (#6). **Note: Right Linkage (#21) must be installed as shown in Figure 4. Tighten bolts tight but, do not over tighten. Joints must pivot freely.**
7. Attach a Left Linkage (#22) to the inside of the Strut (#20) on the left side of chassis assembly, as shown in Figure 4, using one screw (#25), one spacer (#26) and one locknut (#6). **Tighten bolts tight but, do not over tighten. Joints must pivot freely.**

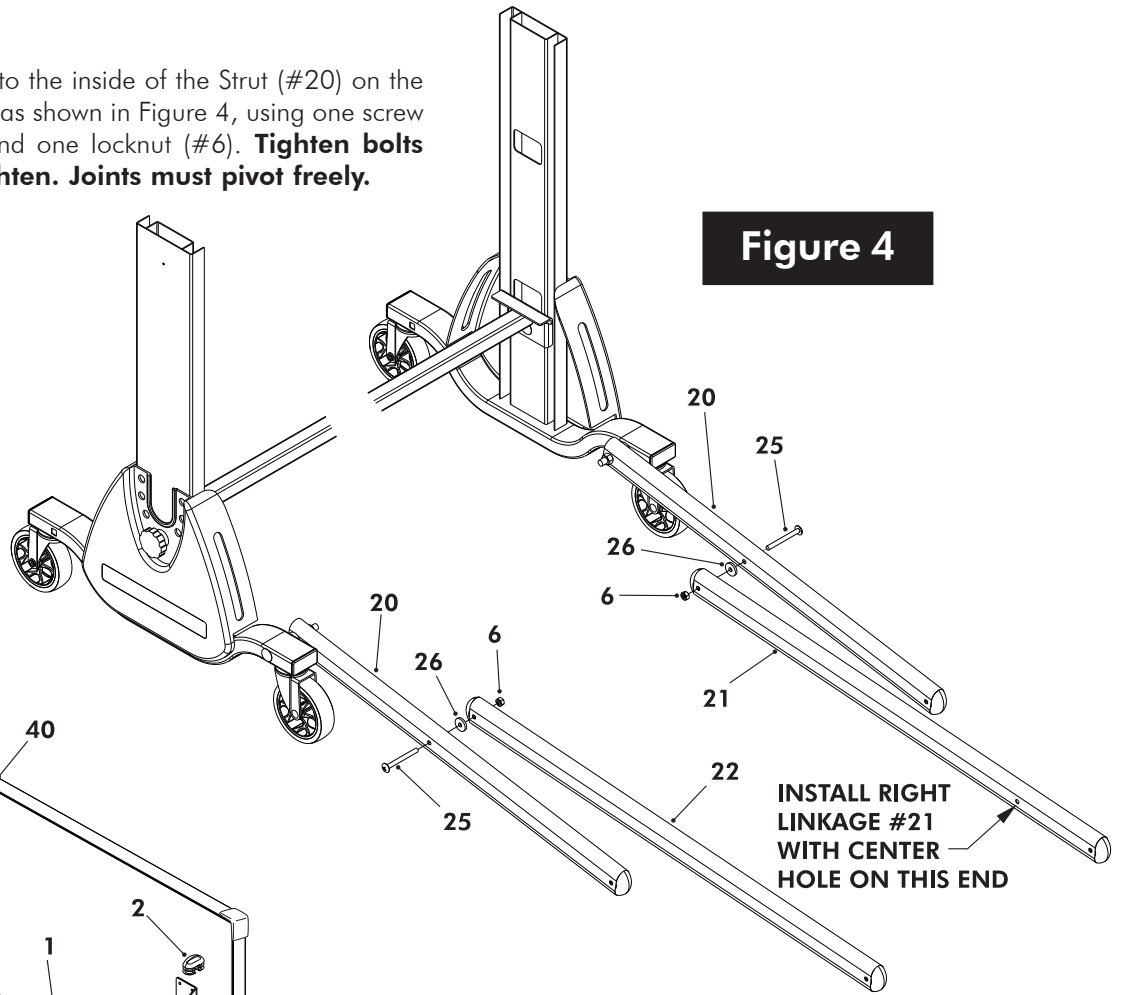


Figure 4

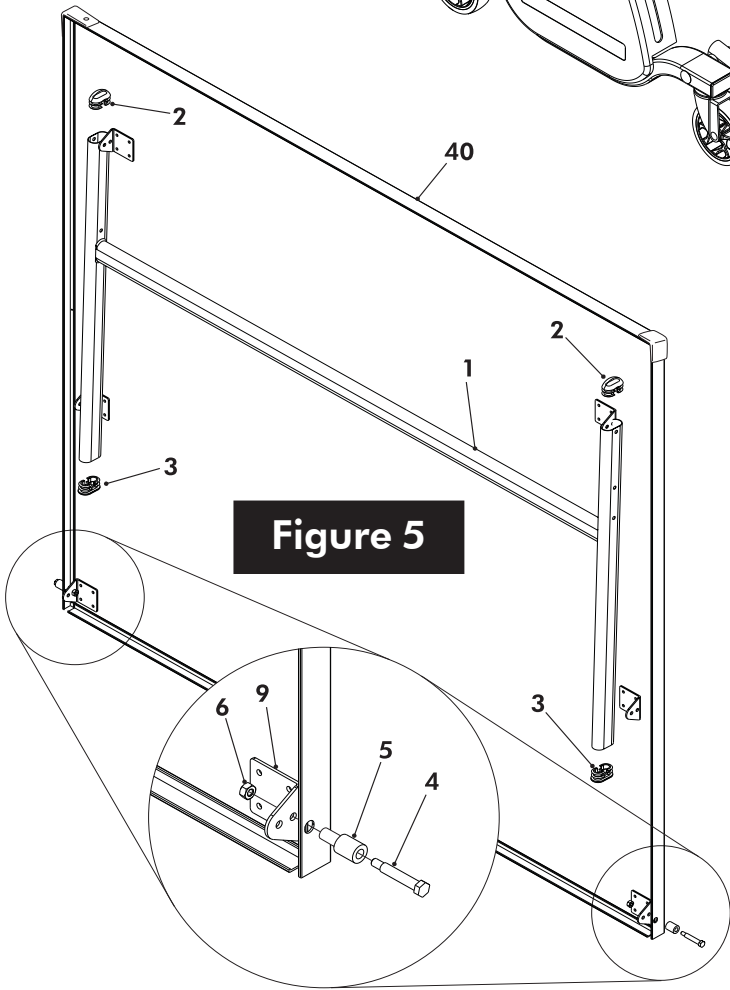


Figure 5

8. Insert Round Top Tube Plugs (#2) into top of Leg (#1) and Flat Tube Plugs into bottom of Leg (#3) on Top (#40). See Figure 5.
9. Insert shoulder Bolt (#4) through Roller Bushing (#5), side apron and bottom hole in Mounting Bracket (#9) as shown in Figure 5, and secure with locknut (#6). **Tighten bolts tight.** Repeat for other side of table.

⚠ WARNING:

AT LEAST TWO (2) ADULTS ARE NEEDED TO COMPLETE THE REST OF THIS ASSEMBLY!

10. With the help of another adult pick up one "Top Assembly" and slide rollers down into slots on "Upright Assembly".

⚠ WARNING:

DO NOT OPEN THE TABLE TO PLAYING POSITION UNTIL BOTH TOPS ARE INSTALLED! DO NOT LEAVE TABLE STANDING UNATTENDED. IT COULD BE KNOCKED OVER CAUSING SERIOUS BODILY INJURY OR PROPERTY DAMAGE.

11. With one adult holding the "Top Assembly" upright, swing Struts (#20) up and attach them to mounting brackets on bottom of "Top Assembly" using one screw (#27), Spacer (#26) and lock nut (#6) for each Strut. **Tighten bolts tight but, do not over tighten. Joints must pivot freely.** See Figure 7, Detail A and B.

12. Swing Left Linkage (#22) up and attach it to Leg (#1) using one screw (#11), one Spacer (#44) and one lock nut (#6). **Tighten bolts tight but, do not over tighten. Joints must pivot freely.** See Figure 7, Detail C.

13. Swing Right Linkage (#21) up and attach it to lower hole in Leg (#1) using one screw (#11), one Spacer (#44) and one lock nut (#6). **Tighten bolts tight but, do not over tighten. Joints must pivot freely.** See Figure 7, Detail D.

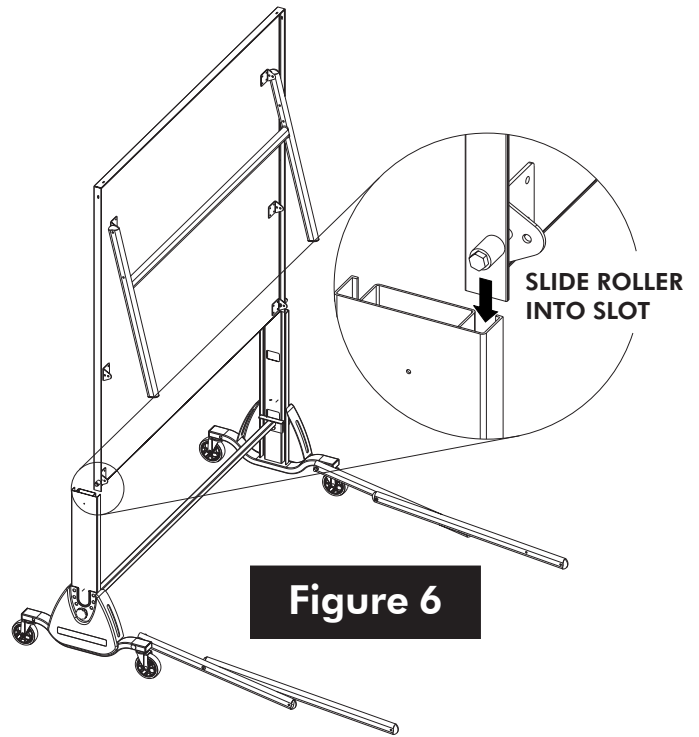
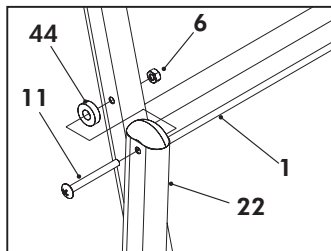
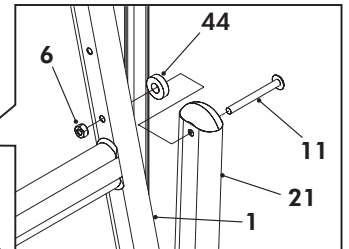


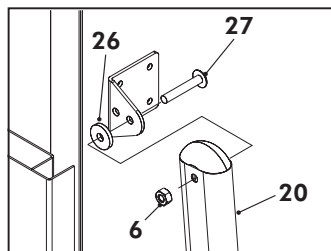
Figure 6



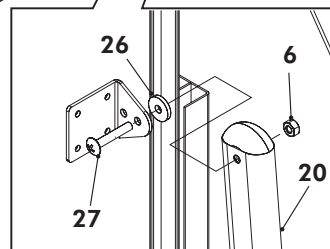
Detail C



Detail D



Detail A



Detail B

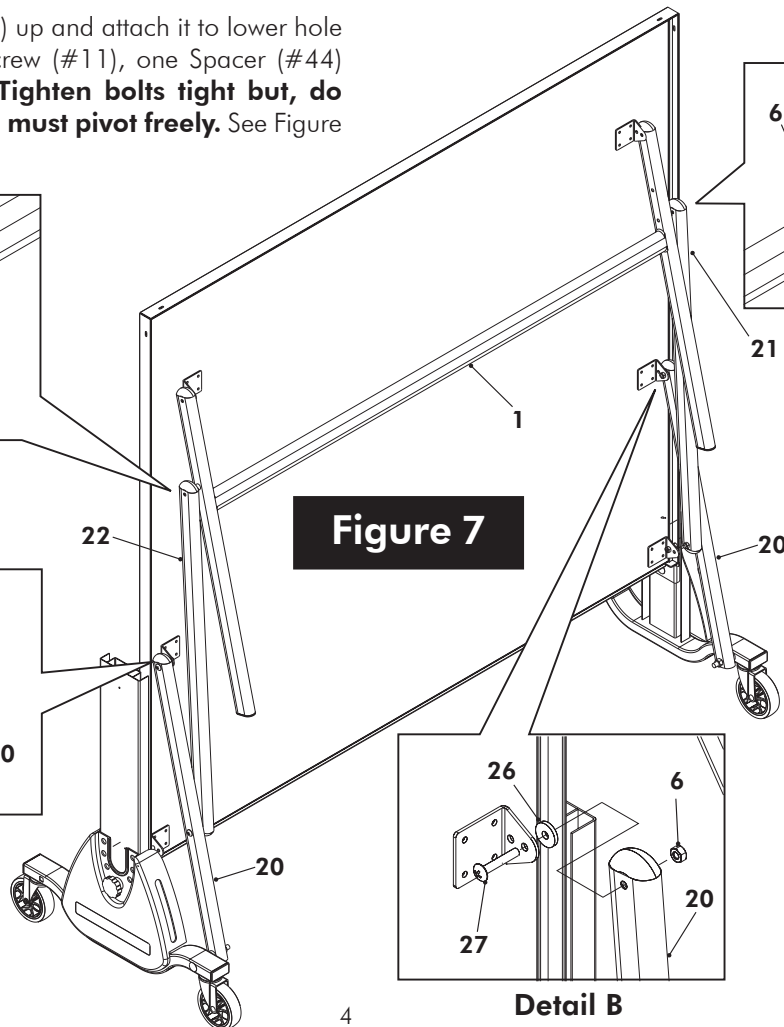


Figure 7

14. Attach Safety Latch (#31) to outside of Leg (#1) on the right side of table using one screw (#28), one step spacer (#29), one spacer (#30) and one lock nut (#6). See Figure 8. **Note: Safety Latch (#31) should hang behind Right Linkage (#21) once attached. Tighten bolt tight but, do not over tighten. Safety Latch must slide freely.**

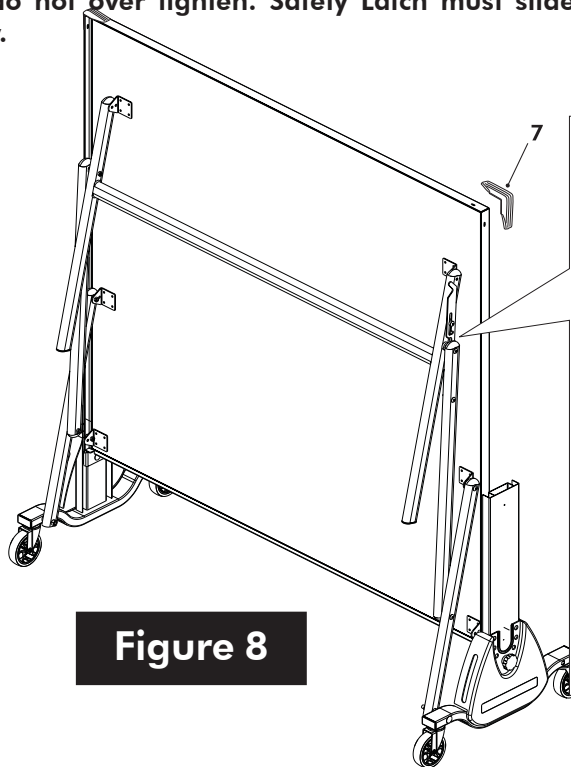


Figure 8

15. Attach bottom of Safety Latch (#31) to inside of Right Linkage (#21) using one screw (#27), one spacer (#30) and one lock nut (#6). See Figure 8. **Tighten bolts tight but, do not over tighten. Joint must pivot freely.**

16. Attach corner cap #7 to outside corners of table by snapping into slots. See Figure 8.

⚠ WARNING:

DO NOT OPEN THE TABLE TO PLAYING POSITION UNTIL BOTH TOPS ARE INSTALLED! DO NOT LEAVE TABLE STANDING UNATTENDED. IT COULD BE KNOCKED OVER CAUSING SERIOUS BODILY INJURY OR PROPERTY DAMAGE.

17. Repeat steps 3 through 16 to assemble and install other table half.

⚠ WARNING:

THE NET AND POSTS INCLUDED WITH THIS TABLE ARE PERMANENT AND INTEGRAL PARTS OF THIS TABLE AND MUST BE USED. DO NOT USE ANY OTHER NET AND POST WITH THIS TABLE. FAILURE TO USE THE NET AND POST INCLUDED WITH THIS TABLE COULD RESULT IN SERIOUS BODILY INJURY OR PROPERTY DAMAGE.

18. Insert Upright Plug (#34) and Net Post (#32) into top of Upright Assembly (#10) on both sides of table. Secure Net Posts in place using one screws (#33). See Figure 9.

19. Slip loops at the ends of Net (#32) over Net Posts (#32). Pull "Tension Cord" tight and wrap around "Tension Washers" on both sides of table.

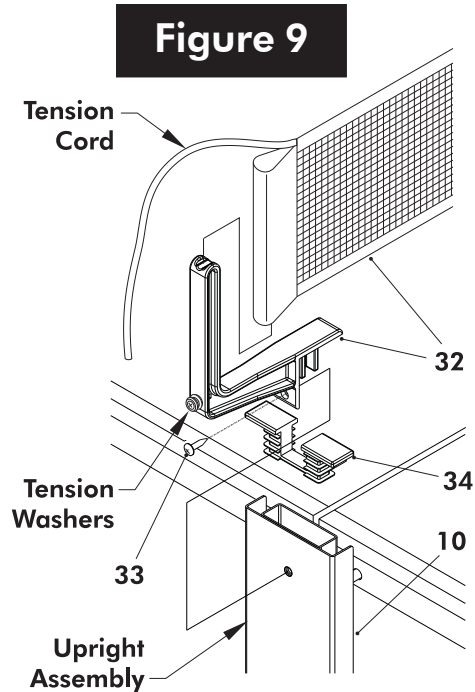
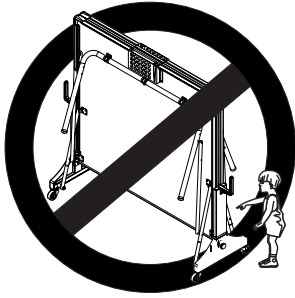


Figure 9

OPENING AND CLOSING INSTRUCTIONS



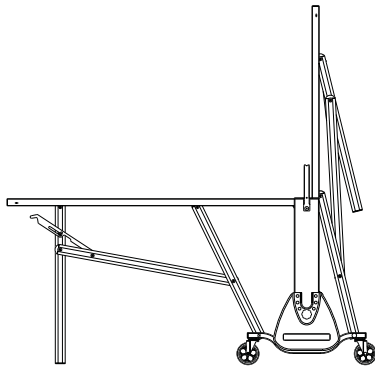
⚠ CAUTION:

WIND GUSTS CAN BLOW OVER OR UNEXPECTEDLY OPEN THE TABLE; STORE IN PROTECTED AREA. A TABLE COVER IS RECOMMENDED TO PROLONG THE LIFE OF YOUR TABLE. EXERCISE CAUTION IN OPENING/CLOSING TABLE. SMALL CHILDREN, OR CHILDREN NOT PROPERLY INSTRUCTED IN ITS USE, MUST NOT BE ALLOWED TO OPEN/CLOSE TABLE. IMPROPER HANDLING AND MISUSE CAN RESULT IN SERIOUS INJURY OR DAMAGE. DO NOT CLIMB, STAND, SIT OR JUMP ON TABLE.

TO OPEN:

1. Hold center of one table top with both hands. See Figure 10.

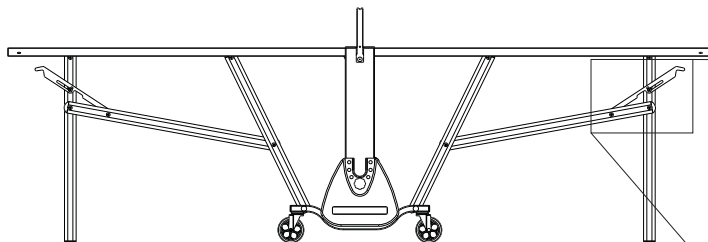
CAUTION! Do NOT touch any parts on bottom of table while opening and closing.



PLAYBACK POSITION

Figure 10

2. Pull outward and lower the table half until legs touch the floor.
3. Check to be sure latch is latched.
4. Repeat steps 1 and 2 for other table half.



PLAYING POSITION

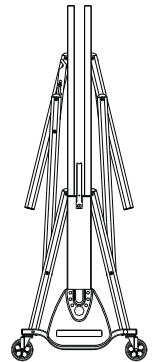
Figure 11

TO CLOSE:

Caution: Net Posts are designed to be permanently attached to table. Do NOT remove net posts when table is in storage or playback position.

1. Stand at one end of the table near the safety strap.
2. With one hand pull up on safety strap to release it; at the same time lift up on top until table is about halfway closed. See Figure 13.
3. Let go of safety strap and continue lifting top with both hands until top is vertical.
4. Raise other table half in the same manner.

Note: Table legs will stick out as shown in Figure 12. Do NOT push legs flat against table bottom.



STORAGE POSITION

Figure 12

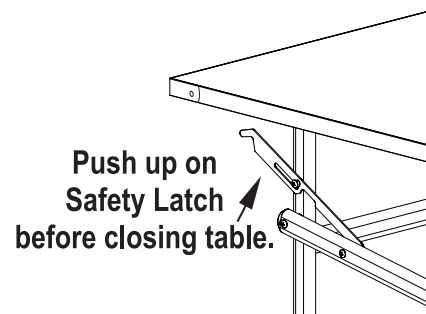


Figure 13

When opening table make sure latch falls down into locked position, as shown.

CARE AND MAINTENANCE

You have purchased a quality product that will give you years of enjoyment. By following these simple maintenance steps you will add to the life of your new table. The top (playing surface) of your table is of aluminum construction. It can be affected by atmospheric conditions, meaning both temperature and humidity. This may cause a slight sag or distortion as top expands or contracts. This is normal and should not cause concern as it does not detract from the play or utility value of the table.

STORAGE OF YOUR TABLE

Wind gusts can blow over or unexpectedly open the table; Store in protected area. When your table is not in use, it should be folded up in a dry area.

CLEANING YOUR TABLE

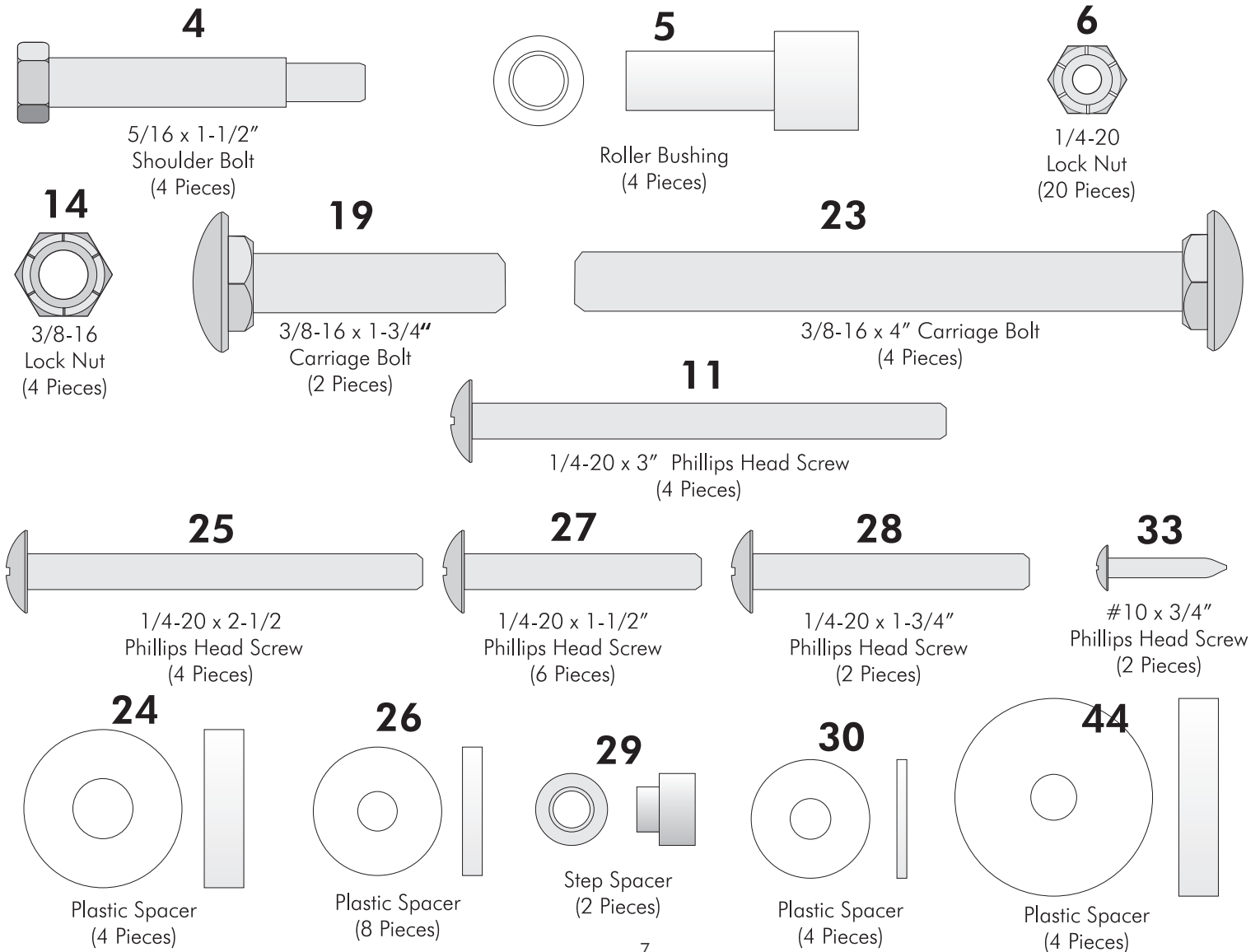
To clean your table use a soft damp **NOT WET** cloth only. To prevent damage to your table's playing surface **DO NOT** use any chemicals, abrasive, or cleaning products on your table's playing surface.

IMPORTANT: Periodically, lubricate all moving parts, including pivot points, to assure smooth opening and closing. A light lubricant such as WD-40 is recommended.

UNLEVEL TABLE

If table does not seem level, it is more than likely because the floor is not level. Move table several inches (set table in playing position) in different directions to find the best location for the table. If the floor is extremely unlevel, table may not play or operate properly. If table is high in the center, shim up under the outer legs.

HARDWARE IDENTIFIER



ONE YEAR LIMITED WARRANTY

This consumer warranty extends to the original consumer purchase of any ESCALADE® SPORTS Product (hereinafter referred as the "Product").

WARRANTY DURATION: This Product is warranted to the original consumer purchase of a period of one (1) year from the original purchase.

WARRANTY COVERAGE: ESCALADE SPORTS warrants to the original Consumer Purchaser that any Product of its manufacture is free from defects in material and workmanship when used for the intended purpose under normal use and conditions. THIS WARRANTY IS VOID IF THE PRODUCT HAS BEEN DAMAGED BY ACCIDENT, UNREASONABLE USE, NEGLIGENCE, IMPROPER SERVICE, FAILURE TO FOLLOW INSTRUCTIONS PROVIDED WITH THE PRODUCT OR OTHER CAUSES NOT ARISING OUT OF DEFECTS IN MATERIAL AND WORKMANSHIP.

WARRANTY PERFORMANCE: During the above one (1) year warranty period, ESCALADE SPORTS shall repair or replace with a comparable model, and/or Product, or component thereof, for any product which may prove defective under normal use and proper care, and which our examination shall disclose to our satisfaction to be thus defective, please contact our Warranty Dept.

1-866-873-3528 / Warranty Dept.

Or Write us at:

Escalade® Sports, Inc. - P.O. Box 889, Evansville, IN 47706 - Attn: Warranty Dept.

Or E-mail us at:

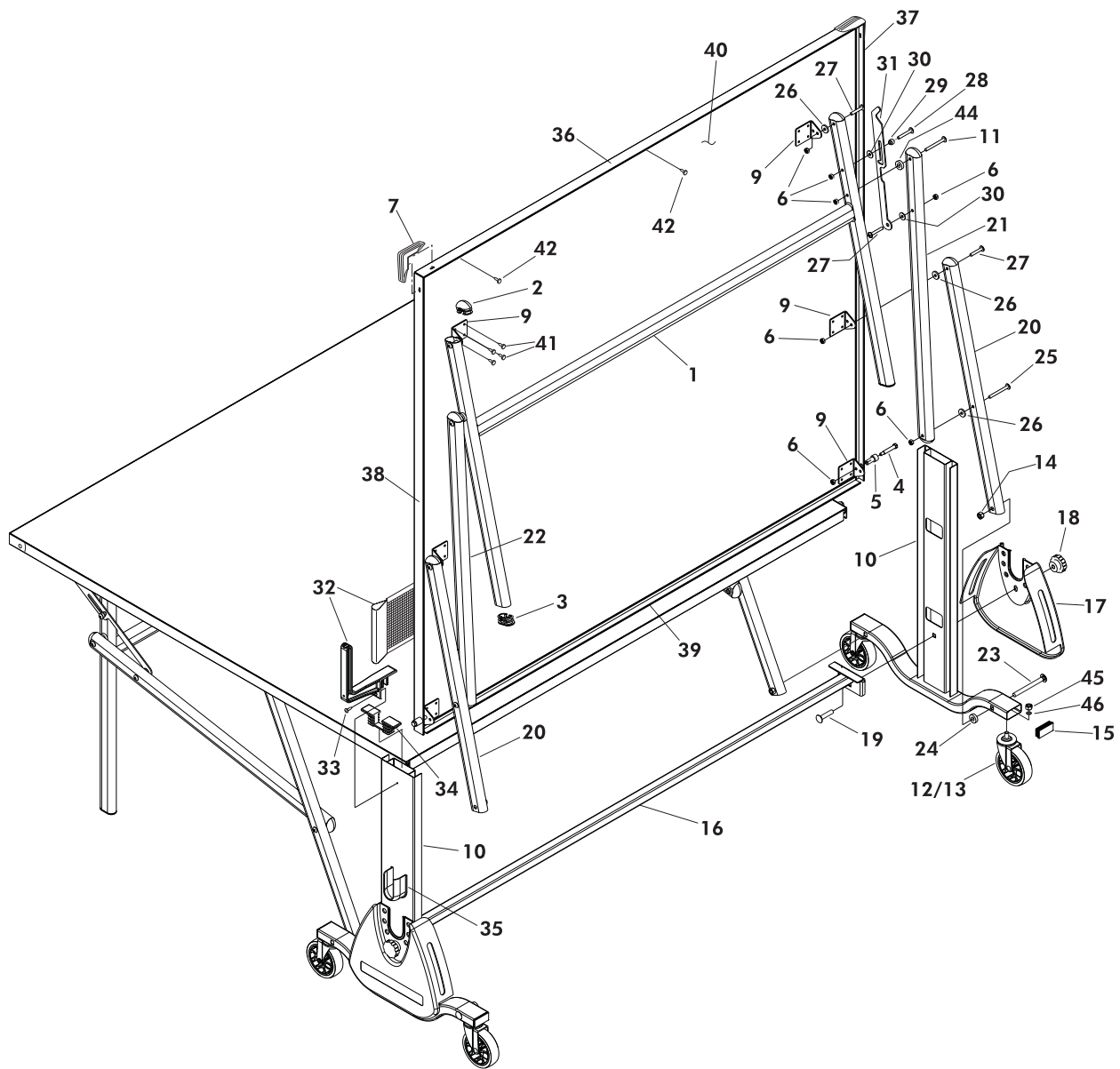
tabletennis@escaladesports.com

Other than shipping requirements no charge will be made for such repair or replacement of in-warranty Products. ESCALADE® SPORTS strongly recommends that the Product is insured for value prior to mailing.

WARRANTY DISCLAIMERS: ANY IMPLIED WARRANTIES ARISING OUT OF THIS SALE, INCLUDING BUT NOT LIMITED TO THE IMPLIED WARRANTIES OF MERCHANTABILITY AND FITNESS FOR A PARTICULAR PURPOSE, ARE LIMITED IN DURATION TO THE ABOVE ONE (1) YEAR WARRANTY PERIOD. ESCALADE® SPORTS SHALL NOT BE LIABLE FOR LOSS OF USE OF THE PRODUCT OR OTHER CONSEQUENTIAL OR INCIDENTAL COSTS, EXPENSES OR DAMAGES INCURRED BY THE CONSUMER OF ANY OTHER USE.

Some states do not allow the exclusion or limitation of implied warranties or consequential or incidental damages, so the above limitations or exclusions may not apply to you.

LEGAL REMEDIES: This warranty gives you specific legal rights and you may also have other rights which may vary from state to state.



Replacement Parts List for Model Number T8650

2L-4108-07

Key#	Part #	Description	Qty.
1	1A-4090-10	Leg	2
2	3M-5018-00	Round Top Tube Plug	16
3	3M-5017-00	Flat Tube Plug	4
4	1B-4096-00	5/16 X 1-1/2 Shoulder Bolt	4
5	7B-6268-00	Roller Bushing	4
6	2B-4047-00	1/4-20 Lock Nut	24
7	3M-4136-00	Molded Corner	4
9	2S-4597-03	Mounting Bracket	12
10	4A-5432-00	Upright Assembly w/casters	2
	1A-4103-10	Upright Only	2
11	1B-4115-00	1/4-20 X 3" Phillips Head Screw	4
12	2Q-4005-00	4" Caster	2
13	2Q-4006-00	4" Caster With Lock	2
14	2B-4046-00	3/8-16 Locknut	4
15	3M-6274-00	1 x 2 Tube Plug	4
16	1A-6965-03	Cross Tube	1
17	3M-5019-00	Shroud	2
18	7B-6278-00	3/8-16 Hand Knob	2
19	1B-4099-00	3/8-16 X 1-3/4 Carriage Bolt	2
20	8S-4129-02	Strut	4
21	8S-4127-02	Right Linkage	2
22	8S-4128-02	Left Linkage	2
23	1B-4111-00	3/8-16 X 4" Carriage Bolt	4

Key#	Part #	Description	Qty.
24	2N-0238-00	Plastic Spacer 1/4" Thick x 1" dia.	4
25	1B-4098-00	1/4-20 X 2-1/2 Phillips Head Screw	4
26	2B-6088-00	Plastic Spacer 1/8" Thick	12
27	1B-4097-00	1/4-20 X 1-1/2 Phillips Head Screw	10
28	1B-4109-00	1/4-20 X 1-3/4 Phillips Head Screw	2
29	7B-6272-00	Step Spacer	2
30	2B-6087-00	Plastic Spacer 1/16" Thick	4
31	2S-6462-01	Safety Latch	2
32	5A-7219-01	Net & Post Kit	1
33	1B-4100-00	#10 X 3/4 Phillips Head Screw	2
34	3M-6575-00	Upright End Plug	2
35	3M-5020-00	Ball Holder	2
36	8S-4133-01	Outside Rail	2
37	8S-4131-02	RH Rail	2
38	8S-4132-02	LH Rail	2
39	8S-4134-01	Inside Rail	2
40	4A-5404-10	Top	2
41	1B-4095-00	#8 X 3/8 Phillips Head Screw	48
42	1B-4094-00	#6 X 3/8 Phillips Head Screw	24
43	2L-4108-07	This Manual	1
44	7B-4053-00	Plastic Spacer 1/4" Thick x 1-1/4" dia.	4
45	WN-1025-00	3/8-16 Jam Nut	4
46	2B-1014-01	3/8" Lock Washer	4